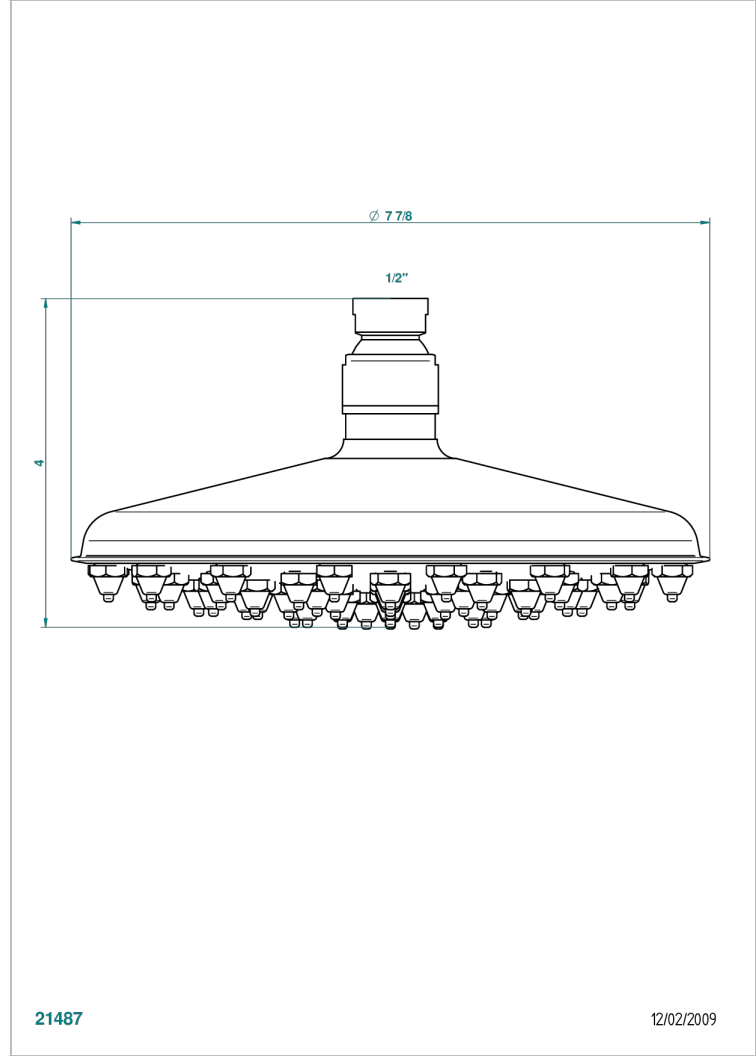
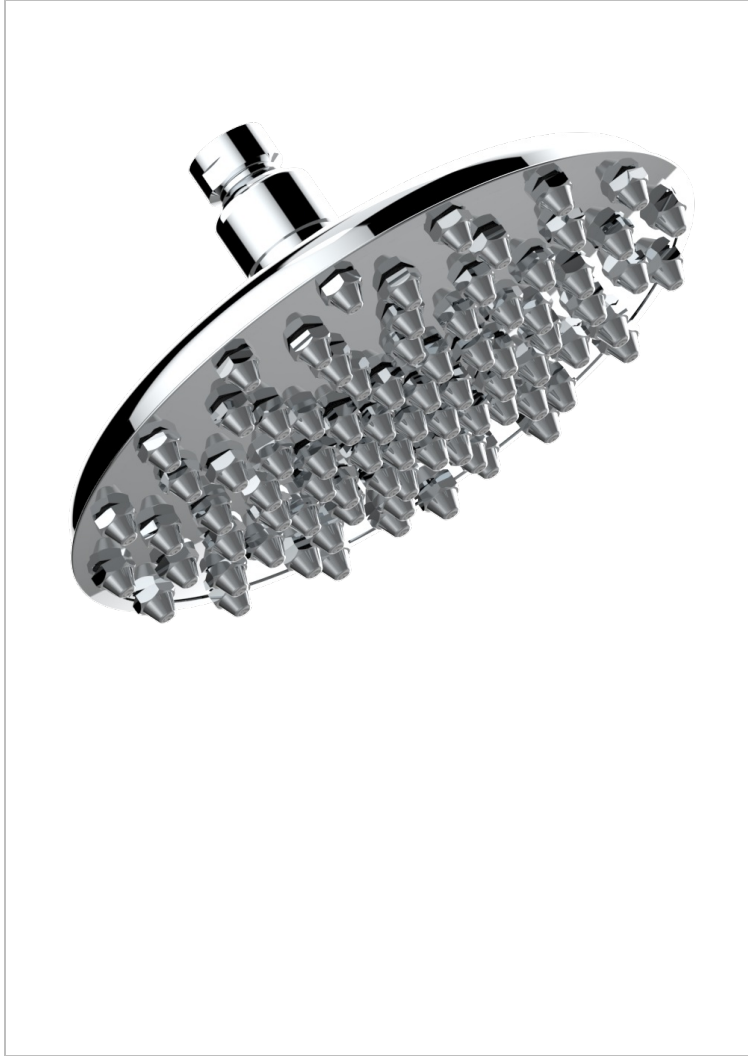


Shower head, with picots (83), 8" diameter with Easyclean system (not available in PVD finishes)



21487

12/02/2009

CHARACTERISTIC

- Showerhead equipped with a flow limiter
- Mounted on a ball joint
- Showerhead with silicone nozzles to facilitate the removal of limescale
- Installation of a water softener is strongly recommended

TECHNICAL SPECS

- Recommandé : 3 bars (max. 5 bars) - Advised : 43,5 psi (max. 72 psi)
- 9,5 l/min à 3 bars (2.5 gpm at 43.5 psi)

AVAILABLE FINITIONS

Black ceram - D30

Chrome polished - A02

Chrome polished / gold polished - G02

Copper antique matt, coated - H07

Gold mat - F07

Gold polished - F01

Light coated bronze - D01

Matt chrome (American satin) - C02

Matt nickel (American satin) - C01

Nickel antique / Sovereign - H28

Nickel polished - B01

Soft gold - F30

Soft matt gold - F31