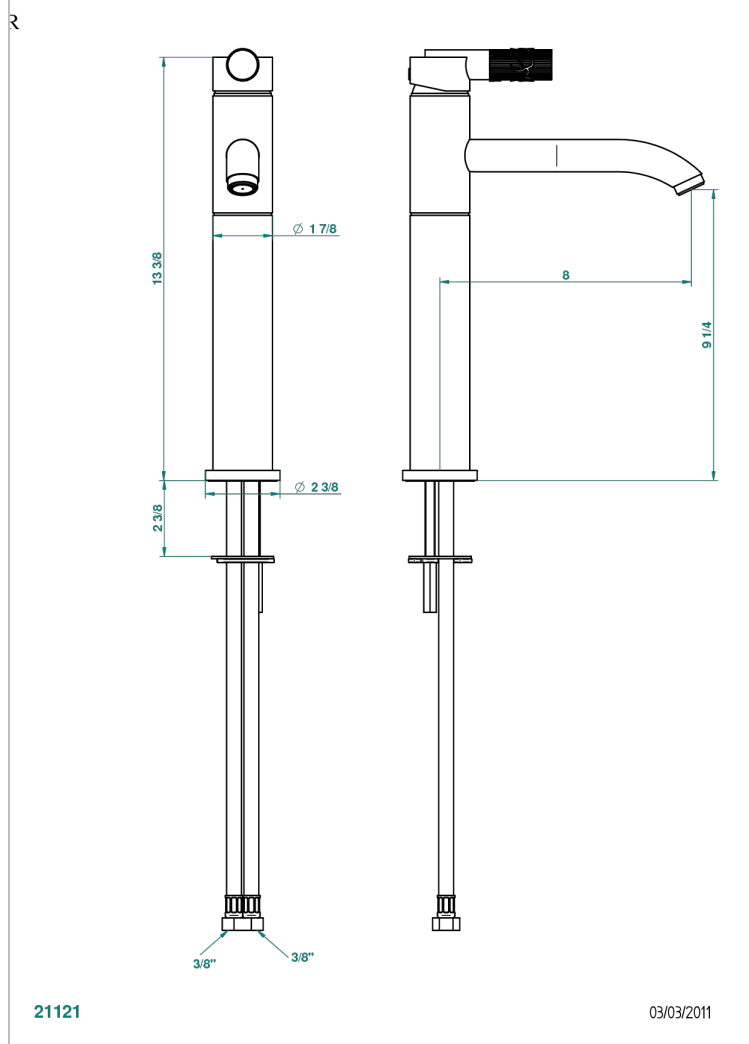


BAMBOU CLEAR CRYSTAL

A35-6500AR

THG[®]
PARIS

Single lever basin mixer without waste, high model



CHARACTERISTIC

- BamboU clear crystal
- Single lever basin mixer without waste, high model

TECHNICAL SPECS

- Recommandé : 3 bars (max. 5 bars) - Advised : 43,5 psi (max. 72 psi)
- 15 l/min à 3 bars (4 gpm at 43.5 psi)

AVAILABLE FINITIONS

Antique nickel - H28
Aranja (black nickel) - D24
Blush PVD - H62
Brass color PVD - H49
Brown bronze color PVD - F33
Lacquered antique silver (coated) - H03

Lacquered light bronze - D01
Matt blush PVD - H60
Matt brass color PVD - H50
Matt brown bronze color PVD - F34
Matt chrome - C02
Matt gold - F07

Matt nickel (color finish) - C01
Matt nickel color PVD - H56
Nickel color PVD - H55
Polished chrome (color finish) - A02
Polished chrome / Polished gold (color finish) - G02
Polished gold (color finish) - F01

Polished nickel - B01
Pvd gold color - H52
Pvd matt gold color - H53
Rhodium Silver - F18
Rose Gold - F27
Satin chrome - C03

Satin gold - F03
Soft gold - F30
Soft matt gold - F31
Varnished matt antique red copper (color finish) - H07