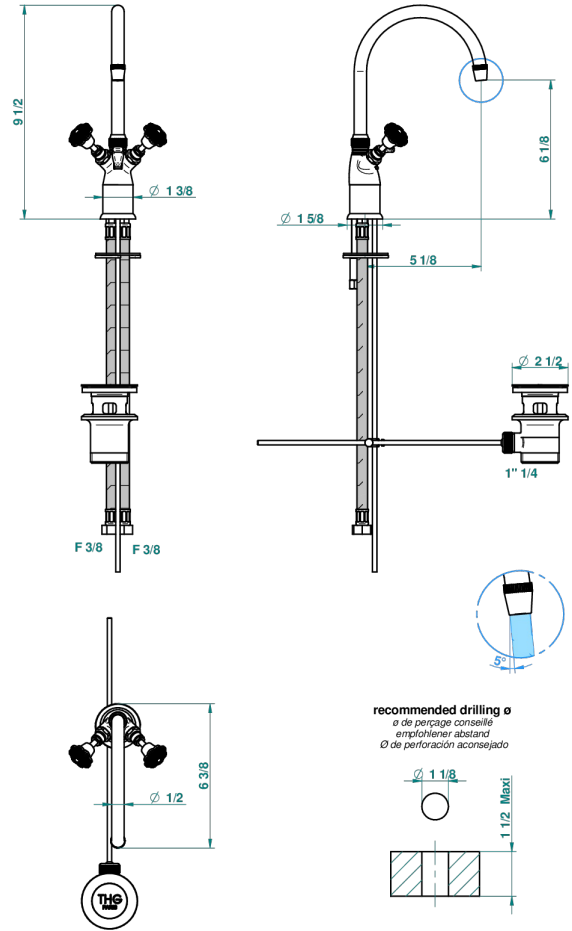


AMOUR DE TRIANON

G24-2161

1-hole basin mixer with waste

THG[®]
PARIS



20746

25/04/2019

CHARACTERISTIC

- Amour de Trianon
- 1-hole basin mixer with waste

TECHNICAL SPECS

- Recommandé : 3 bars (max. 5 bars) - Advised : 43,5 psi (max. 72 psi)
- 24 l/min à 3 bars (6,3 gpm at 43.5 psi)

AVAILABLE FINITIONS

Antique nickel - H28
 Black ceram - D30
 Lacquered light bronze - D01
 Matt chrome - C02
 Matt gold - F07
 Matt nickel (color finish) - C01

Polished chrome (color finish) - A02
 Polished chrome / Polished gold (color finish) - G02
 Polished gold (color finish) - F01
 Polished nickel - B01
 Soft gold - F30
 Soft matt gold - F31

Varnished matt antique red copper (color finish) - H07