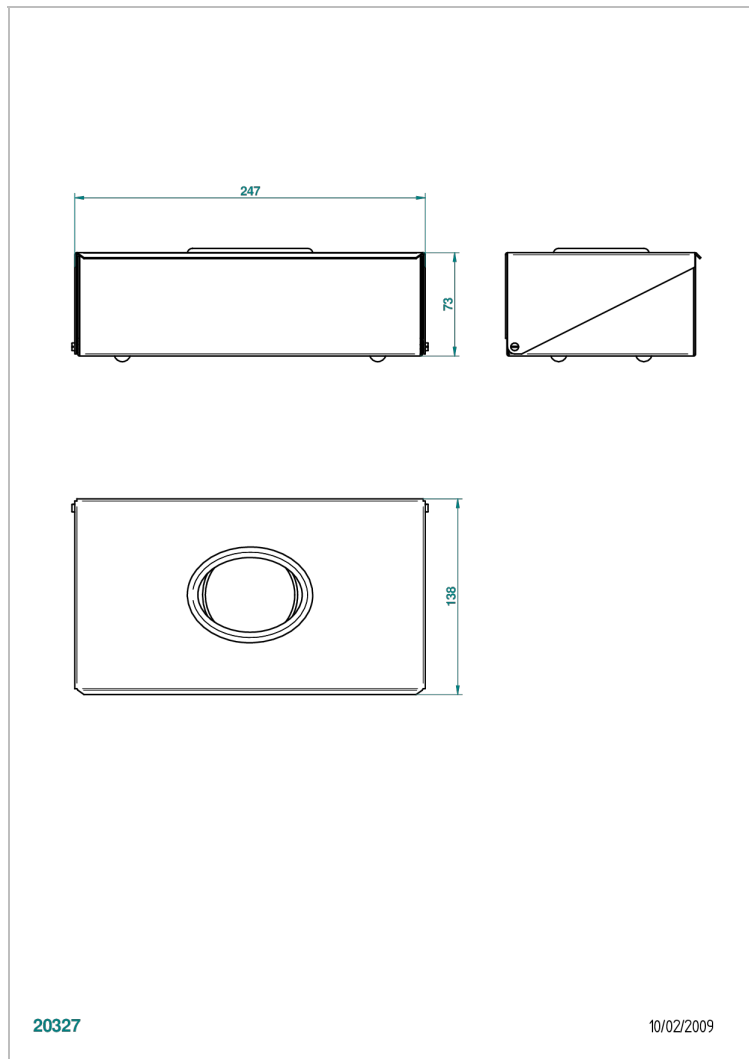
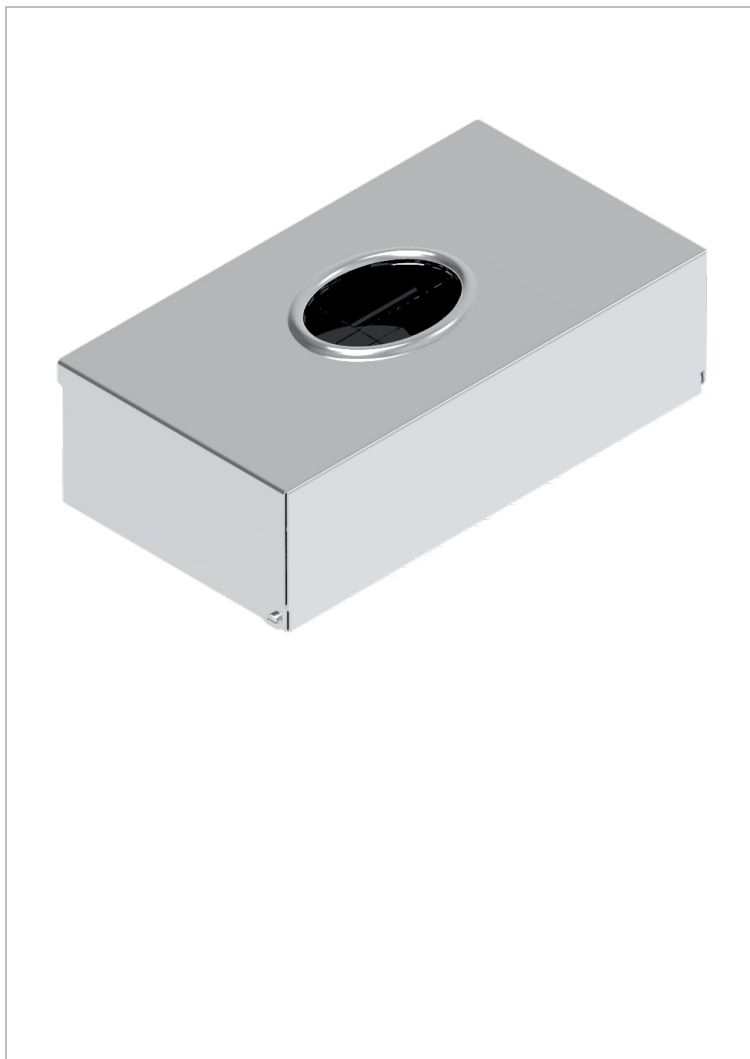


GENERAL PRODUCTS

G00-704

Tissue dispenser 9' 5/8" x 5' 1/8" x 2' 3/4" surface mounted or freestanding (not available in PVD finishes)



20327

10/02/2009

CHARACTERISTIC

- General Products
- Tissue dispenser 9' 5/8" x 5' 1/8" x 2' 3/4" surface mounted or freestanding (not available in PVD finishes)

AVAILABLE FINITIONS

Chrome polished - A02
Chrome polished / gold polished - G02
Gold mat - F07
Gold polished - F01
Matt chrome (American satin) - C02
Matt nickel (American satin) - C01

Nickel antique / Sovereign - H28
Nickel polished - B01
Soft gold - F30
Soft matt gold - F31