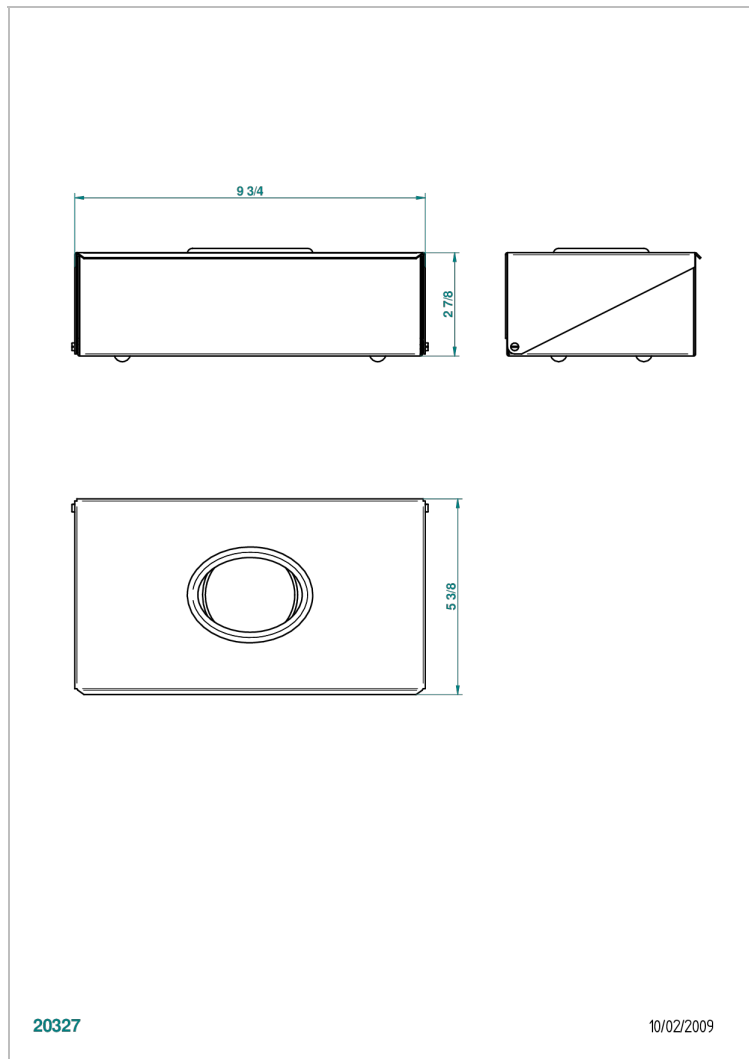
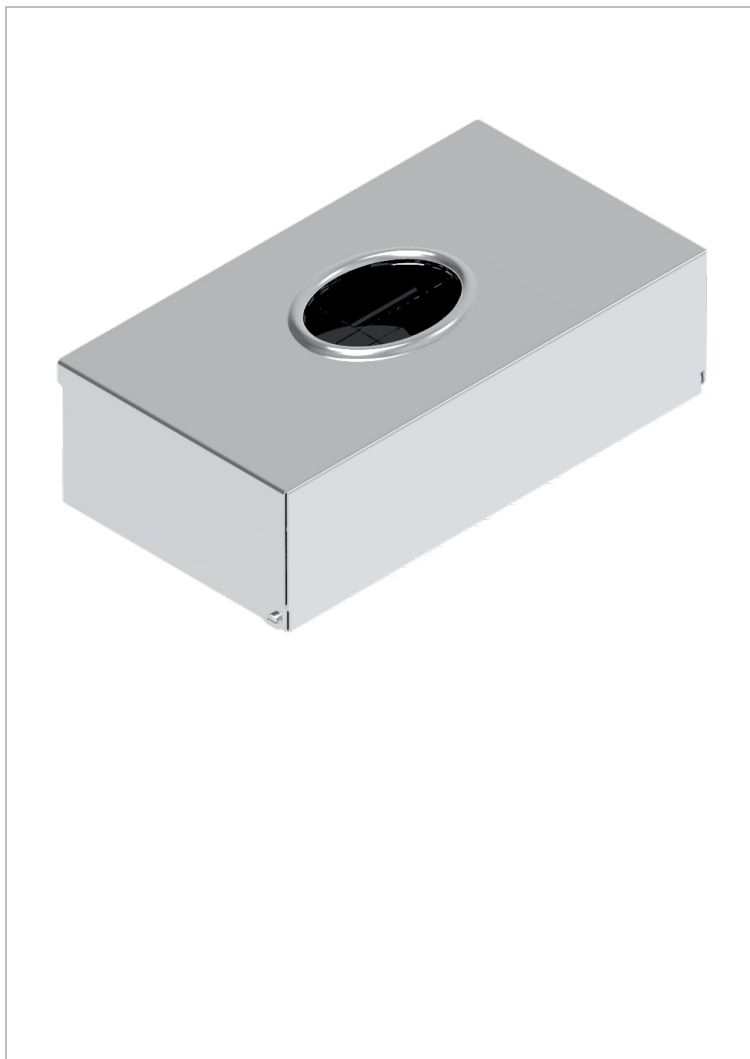


GENERAL ITEMS

G00-704

Tissue box rim or wall mounted, 245 x 130 x 70 mm ((not available in PVD finishes)



CHARACTERISTIC

- General Items
- Tissue box rim or wall mounted, 245 x 130 x 70 mm ((not available in PVD finishes)

AVAILABLE FINITIONS

Antique nickel - H28
Matt chrome - C02
Matt gold - F07
Matt nickel (color finish) - C01
Polished chrome (color finish) - A02
Polished chrome / Polished gold (color finish) - G02

Polished gold (color finish) - F01
Polished nickel - B01
Soft gold - F30
Soft matt gold - F31