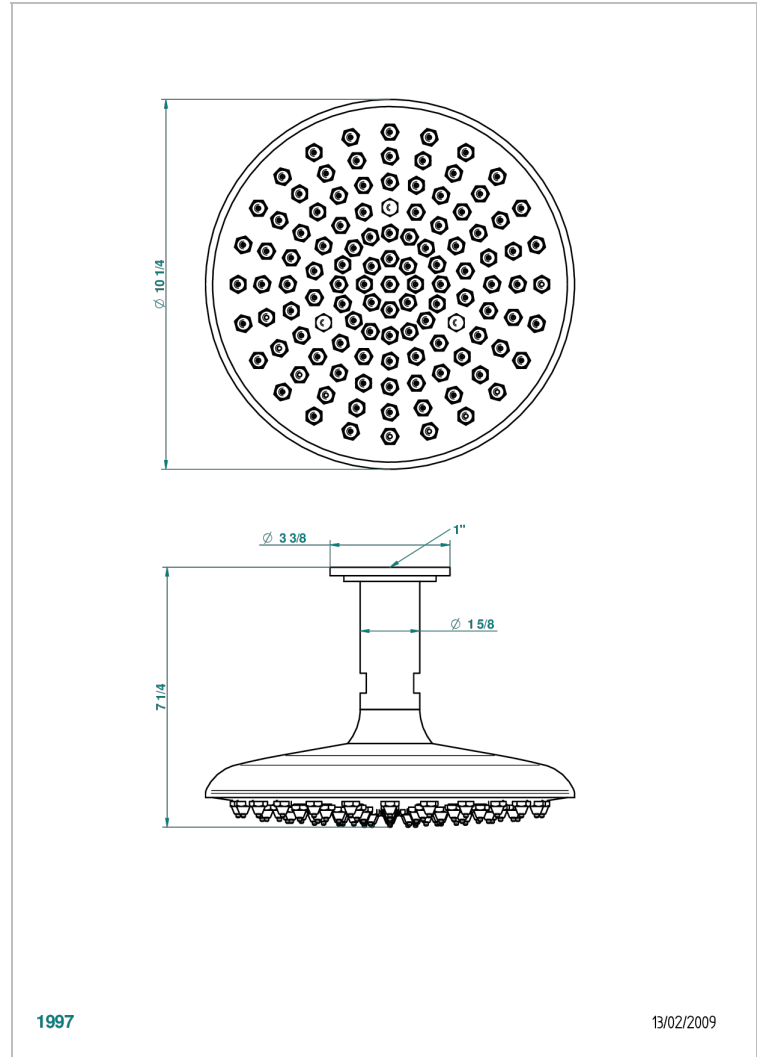


GENERAL PRODUCTS

G00-910PR

Shower head ceiling mount with arm, cast with picots (114) 10" diameter, with Easyclean system

THG[®]
PARIS



1997

13/02/2009

CHARACTERISTIC

- Showerhead equipped with a flow limiter
- Supplied with an 1" arm and flange
- Showerhead with silicone nozzles to facilitate the removal of limescale
- Installation of a water softener is strongly recommended

TECHNICAL SPECS

- Recommandé : 3 bars (max. 5 bars) - Advised : 43,5 psi (max. 72 psi)
- 50 l/min à 3 bars (13.2 gpm at 43.5 psi)

AVAILABLE FINITIONS

Black ceram - D30
Blush PVD - H62
Brass color PVD - H49
Brown bronze color PVD - F33
Chrome polished - A02
Chrome polished / gold polished - G02

Copper antique matt, coated - H07
Gold color PVD - H52
Gold mat - F07
Gold polished - F01
Graphite PVD - H64
Light coated bronze - D01

Matt Umber PVD - H67
Matt blush PVD - H60
Matt brass color PVD - H50
Matt brown bronze color PVD - F34
Matt chrome (American satin) - C02
Matt gold color PVD - H53

Matt graphite PVD - H65
Matt nickel (American satin) - C01
Matt nickel color PVD - H56
Nickel antique / Sovereign - H28
Nickel color PVD - H55
Nickel polished - B01

Soft gold - F30
Soft matt gold - F31
Umber PVD - H66