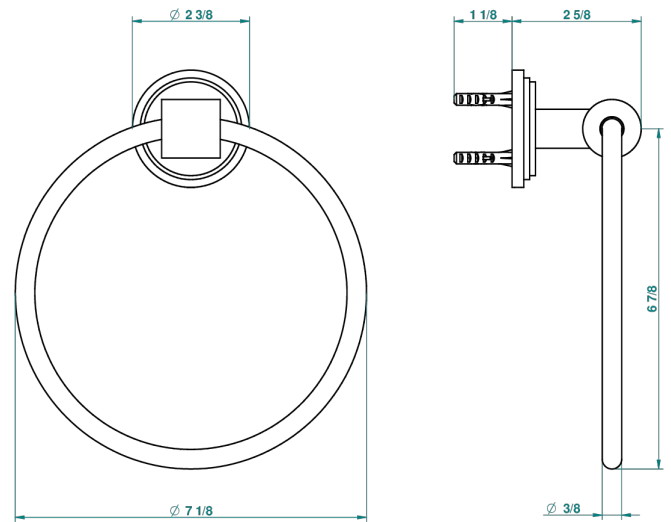
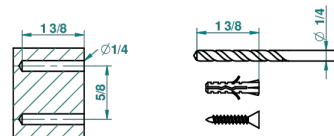


G2J-504N

Handtuchring



recommended drilling  $\phi$   
*a de perçage conseillé*  
*empfohlener abstand*  
*Ø de perforación aconsejado*



19796

17/02/2010

## EIGENSCHAFTEN

- Faubourg, Porzellan weiß, Hebel
- Handtuchring

## VERFÜGBARE OBERFLÄCHEN

Altnickel - H28  
 Blassgold - F30  
 Blassgold matt unlackiert - F31  
 Chrom - A02  
 Chrom / gold - G02  
 Chrom matt - C02

Gold - F01  
 Gold matt - F07  
 Mattschwarz keramik - D30  
 Natural smoked Brass - A13  
 Nickel matt - C01  
 Pvd blush - H62

Pvd blush matt - H60  
 Pvd bronze braun - F33  
 Pvd bronze braun matt - F34  
 Pvd gold - H52  
 Pvd gold matt - H53  
 Pvd graphite - H64

Pvd graphite matt - H65  
 Pvd messing - H49  
 Pvd messing matt - H50  
 Pvd nickel - H55  
 Pvd nickel matt - H56  
 Pvd umber - H66

Pvd umber matt - H67  
 Silberrnickel - B01