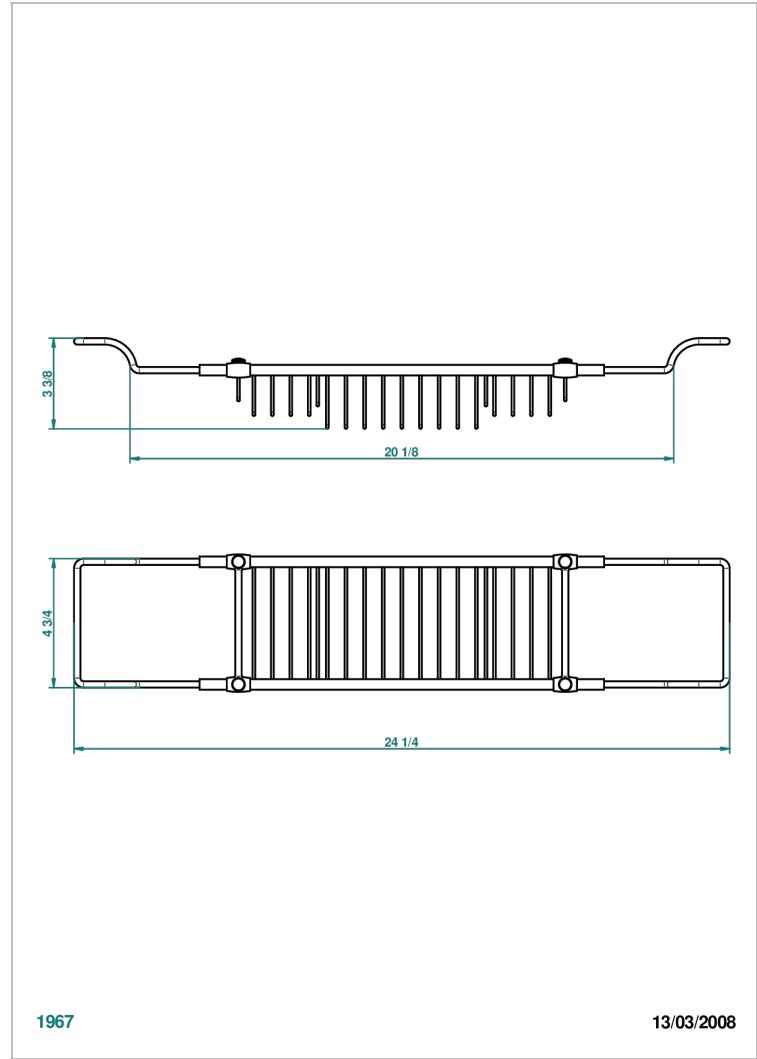
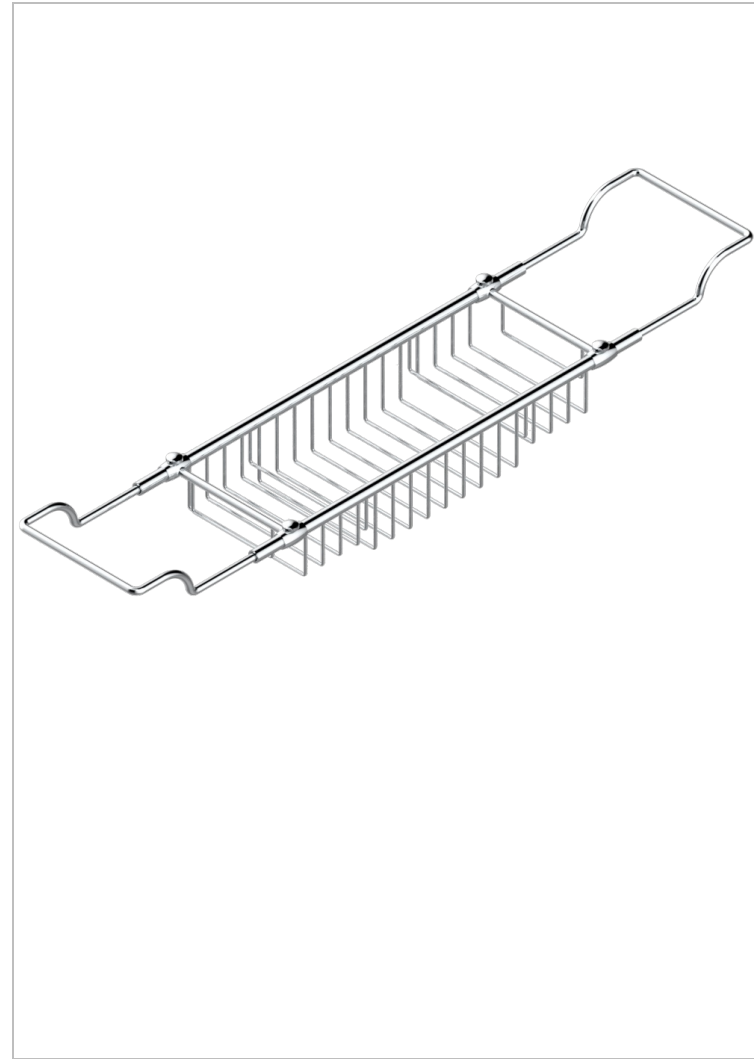


Bath rack, adjustable: mini 500 mm / maxi 800 mm (not available in PVD finishes)



CHARACTERISTIC

- Charleston
- Bath rack, adjustable: mini 500 mm / maxi 800 mm (not available in PVD finishes)

AVAILABLE FINITIONS

Antique nickel - H28
Lacquered light bronze - D01
Matt chrome - C02
Matt gold - F07
Matt nickel (color finish) - C01
Polished chrome (color finish) - A02

Polished chrome / Polished gold (color finish) - G02
Polished gold (color finish) - F01
Polished nickel - B01
Soft gold - F30
Soft matt gold - F31