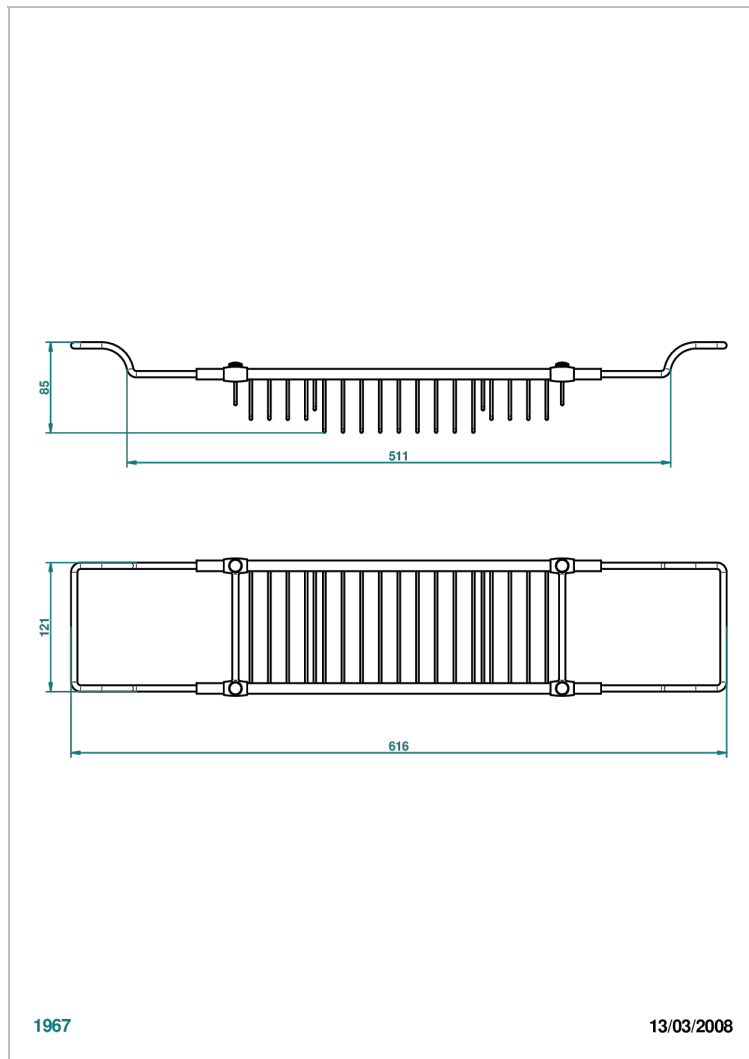
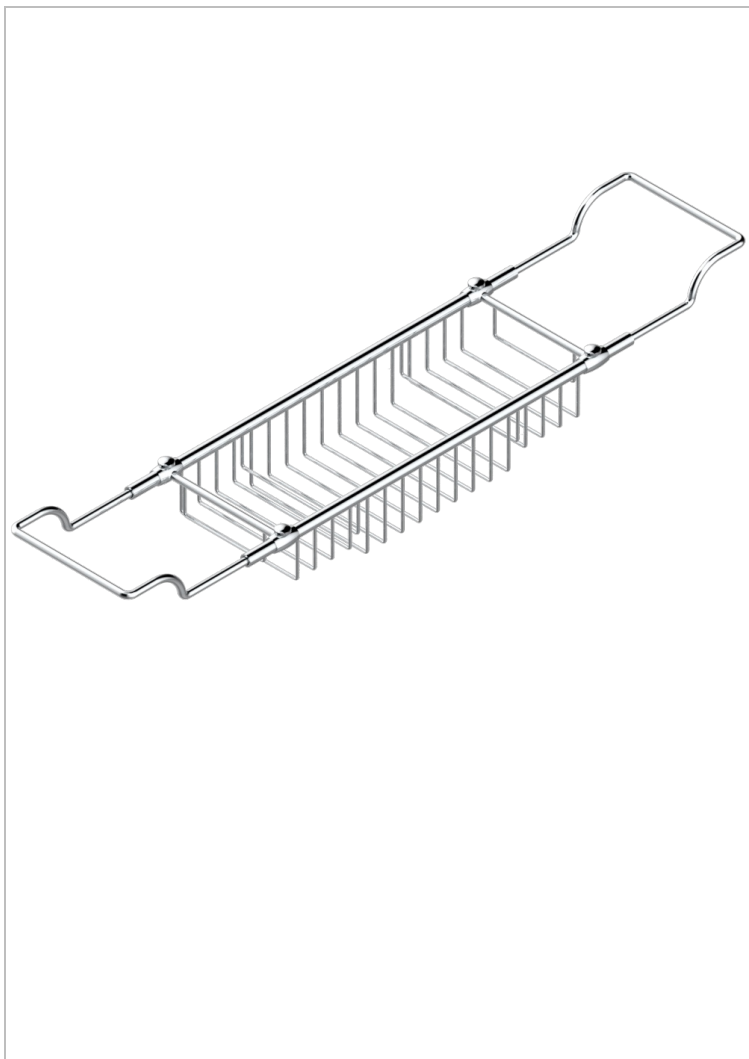


# GENERAL ITEMS

G00-622

Bath rack, adjustable: mini 500 mm / maxi 800 mm (not available in PVD finishes)

THG<sup>®</sup>  
PARIS



1967

13/03/2008

## CHARACTERISTIC

- General Items
- Bath rack, adjustable: mini 500 mm / maxi 800 mm (not available in PVD finishes)

## AVAILABLE FINITIONS

Antique nickel - H28  
Lacquered light bronze - D01  
Matt chrome - C02  
Matt gold - F07  
Matt nickel (color finish) - C01  
Polished chrome (color finish) - A02

Polished chrome / Polished gold (color finish) - G02  
Polished gold (color finish) - F01  
Polished nickel - B01  
Soft gold - F30  
Soft matt gold - F31