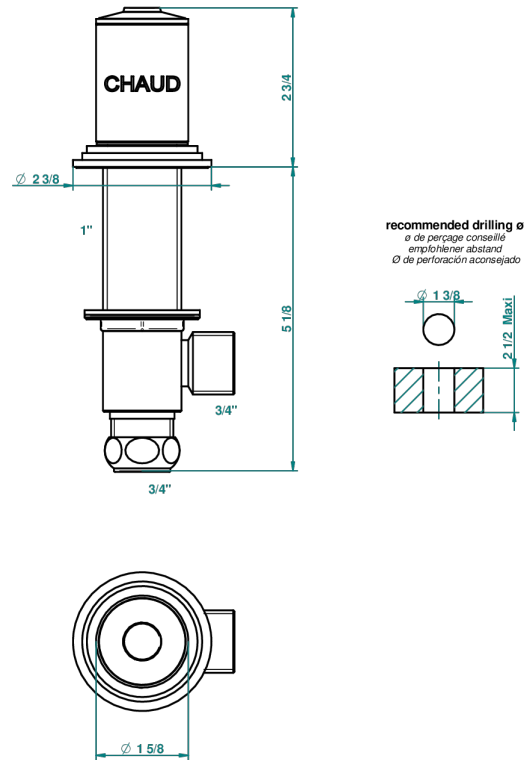


FAUBOURG, PORZELLAN WEISS

G2K-36/H

Einbauventil zur Standmontage 3/4", warm

THG[®]
PARIS



19644

06/05/2010

EIGENSCHAFTEN

- Faubourg, Porzellan weiß
- Einbauventil zur Standmontage 3/4", warm

VERFÜGBARE OBERFLÄCHEN

Altnickel - H28
Blassgold - F30
Blassgold matt unlackiert - F31
Chrom - A02
Chrom / gold - G02
Chrom matt - C02

Gold - F01
Gold matt - F07
Mattschwarz keramik - D30
Natural smoked Brass - A13
Nickel matt - C01
Pvd blush - H62

Pvd blush matt - H60
Pvd bronze braun - F33
Pvd bronze braun matt - F34
Pvd gold - H52
Pvd gold matt - H53
Pvd graphite - H64

Pvd graphite matt - H65
Pvd messing - H49
Pvd messing matt - H50
Pvd nickel - H55
Pvd nickel matt - H56
Pvd umber - H66

Pvd umber matt - H67
Silbernickel - B01