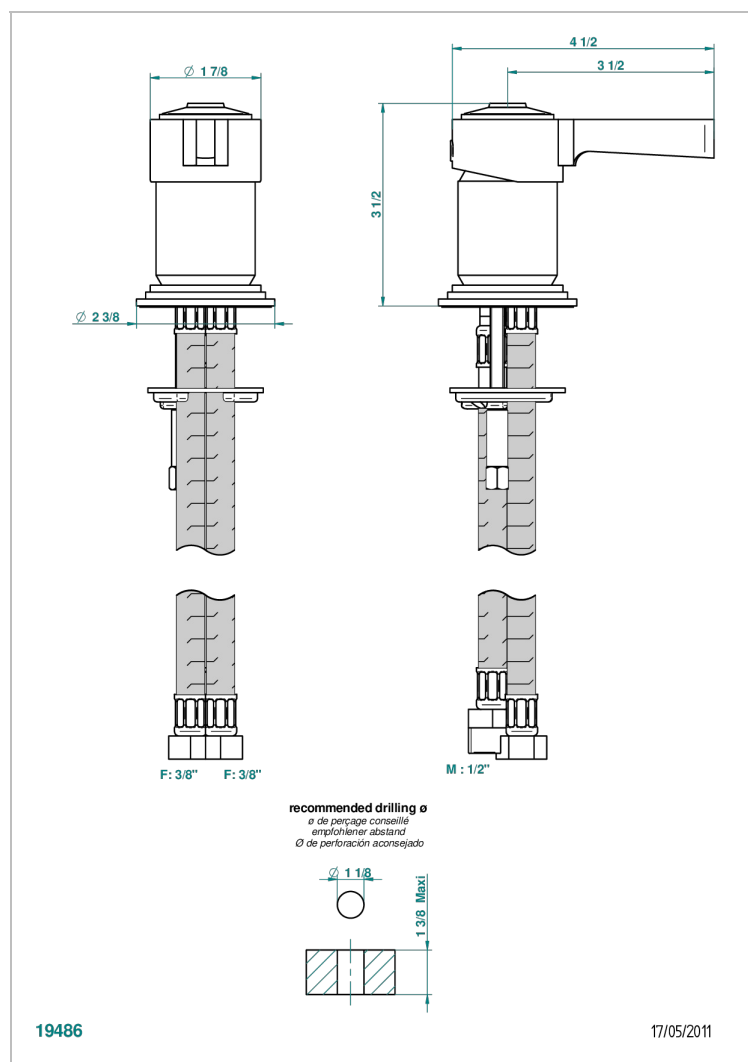


FAUBOURG WHITE PORCELAIN WITH LEVER

G2J-6523

Rim mounted ceramic mixer



CHARACTERISTIC

- NF : NF EN 817 - I - Chrome

STANDARDS



AVAILABLE FINITIONS

Antique nickel - H28
 Black ceram - D30
 Blush PVD - H62
 Brass color PVD - H49
 Brown bronze color PVD - F33
 Gold color PVD - H52

Graphite PVD - H64
 Matt Umber PVD - H67
 Matt blush PVD - H60
 Matt brass color PVD - H50
 Matt brown bronze color PVD - F34
 Matt chrome - C02

Matt gold - F07
 Matt gold color PVD - H53
 Matt graphite PVD - H65
 Matt nickel (color finish) - C01
 Matt nickel color PVD - H56
 Natural smoked Brass - A13

Nickel color PVD - H55
 Polished chrome (color finish) - A02
 Polished chrome / Polished gold
 (color finish) - G02
 Polished gold (color finish) - F01
 Polished nickel - B01
 Soft gold - F30

Soft matt gold - F31
 Umber PVD - H66