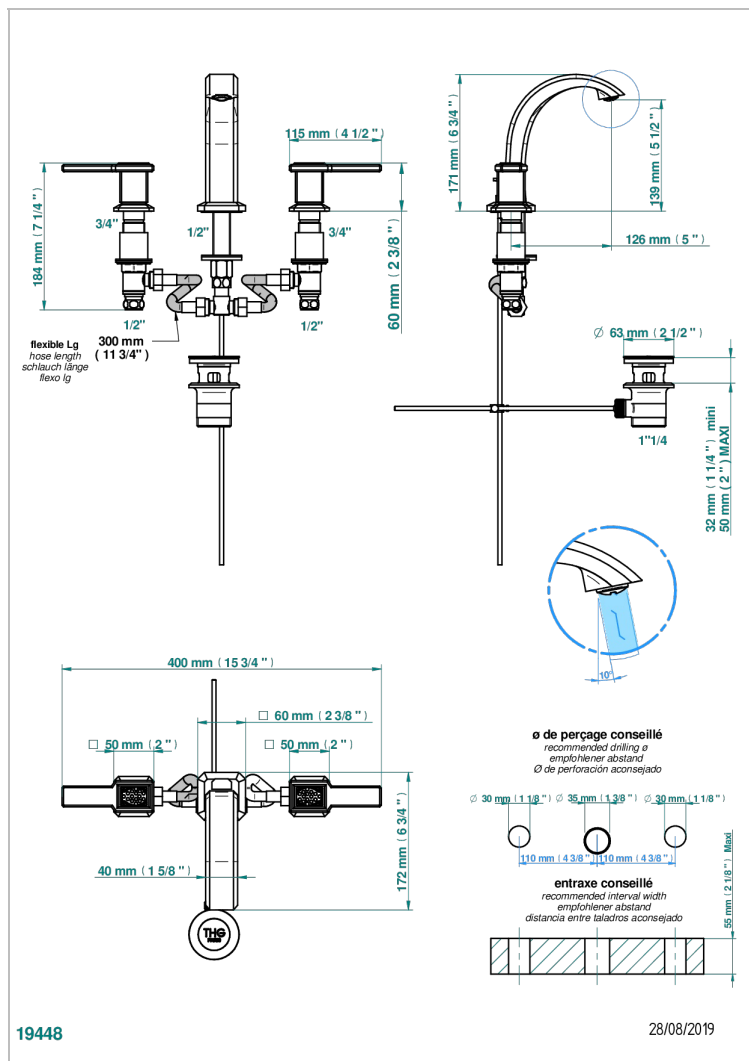


METROPOLIS, KRISTALL KLAR, HEBEL

A2B-151

3-loch-waschtischbatterie mit ablaufgarnitur



EIGENSCHAFTEN

- ACS : 18ACCLY393
- DVGW : DW-6051CN0461
- NF : NF EN 200 - IA - Chrome
- SVGW-SSIGE : 1901-6813

ZERTIFIZIERUNGEN



TECHNISCHE DATEN

- Recommandé : 3 bars (max. 5 bars) - Advised : 43,5 psi (max. 72 psi)
- 8,3 l/min à 3 bars (2.2 gpm at 43.5 psi)

VERFÜGBARE OBERFLÄCHEN

- | | |
|---------------------------------|---------------------------|
| Altnickel - H28 | Gold - F01 |
| Blassgold - F30 | Gold matt - F07 |
| Blassgold matt unlackiert - F31 | Mattschwarz keramik - D30 |
| Chrom - A02 | Nickel matt - C01 |
| Chrom / gold - G02 | Pvd blush - H62 |
| Chrom matt - C02 | Pvd blush matt - H60 |

- | | |
|-----------------------------|------------------------|
| Pvd bronze braun - F33 | Pvd messing - H49 |
| Pvd bronze braun matt - F34 | Pvd messing matt - H50 |
| Pvd gold - H52 | Pvd nickel - H55 |
| Pvd gold matt - H53 | Pvd nickel matt - H56 |
| Pvd graphite - H64 | Pvd umber - H66 |
| Pvd graphite matt - H65 | Pvd umber matt - H67 |

Silbernickel - B01