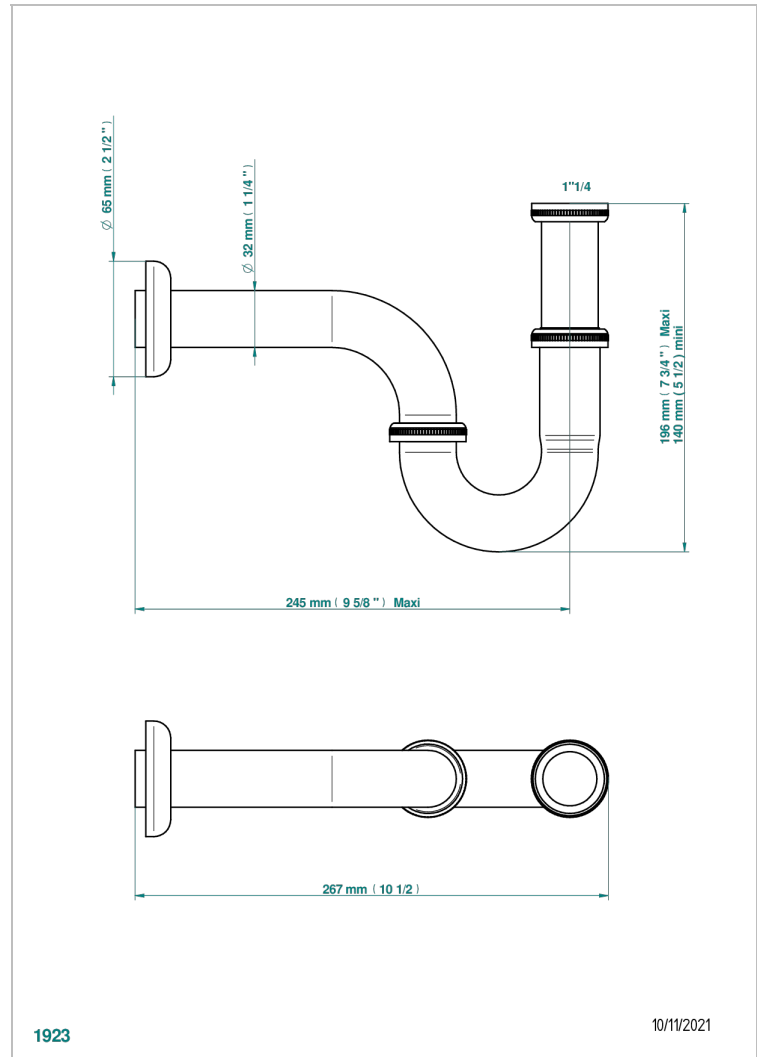


MARQUISE PLATINUM DECOR

A7G-315L/US

Heavy cast brass adjustable P-trap with cleanout plug 1 1/4" - 1 1/4" 17 gauge

THG[®]
PARIS



CHARACTERISTIC

- Marquise platinum decor
- Heavy cast brass adjustable P-trap with cleanout plug 1 1/4" - 1 1/4" 17 gauge

AVAILABLE FINITIONS

Black ceram - D30
Blush PVD - H62
Brass color PVD - H49
Brown bronze color PVD - F33
Chrome polished - A02
Chrome polished / gold polished - G02

Copper antique matt, coated - H07
Gold color PVD - H52
Gold mat - F07
Gold polished - F01
Graphite PVD - H64
Light coated bronze - D01

Matt Umber PVD - H67
Matt blush PVD - H60
Matt brass color PVD - H50
Matt brown bronze color PVD - F34
Matt chrome (American satin) - C02
Matt gold color PVD - H53

Matt graphite PVD - H65
Matt nickel (American satin) - C01
Matt nickel color PVD - H56
Nickel antique / Sovereign - H28
Nickel color PVD - H55
Nickel polished - B01

Soft gold - F30
Soft matt gold - F31
Umber PVD - H66