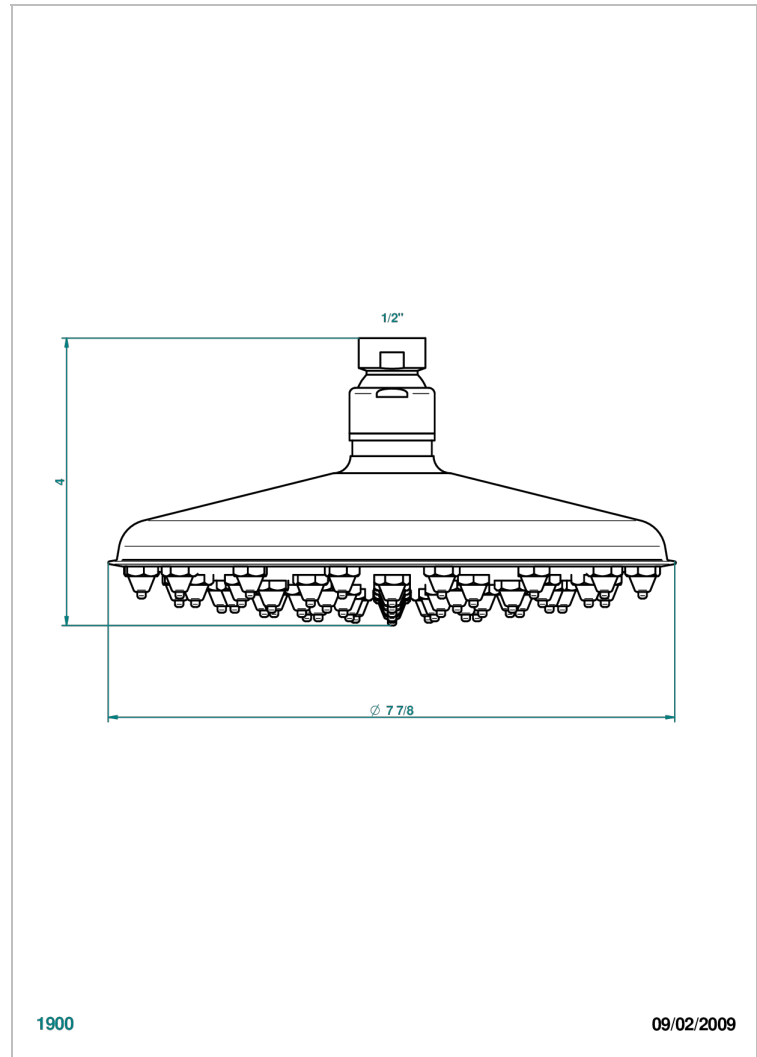


# GENERAL ITEMS

G00-286P

THG<sup>®</sup>  
PARIS

Shower head, ø 200 mm, with 83 removable jets + ball joint 1/2" with Easyclean system (not available in PVD finishes)



## CHARACTERISTIC

- Showerhead equipped with a flow limiter
- Mounted on a ball joint
- Showerhead with silicone nozzles to facilitate the removal of limescale
- Installation of a water softener is strongly recommended

## TECHNICAL SPECS

- Recommandé : 3 bars (max. 5 bars) - Advised : 43,5 psi (max. 72 psi)
- 12 l/min à 3 bars (3.18 gpm at 43.5 psi)

## AVAILABLE FINITIONS

Antique nickel - H28  
Lacquered light bronze - D01  
Matt chrome - C02  
Matt gold - F07  
Matt nickel (color finish) - C01  
Polished chrome (color finish) - A02

Polished gold (color finish) - F01  
Polished nickel - B01  
Soft gold - F30  
Soft matt gold - F31