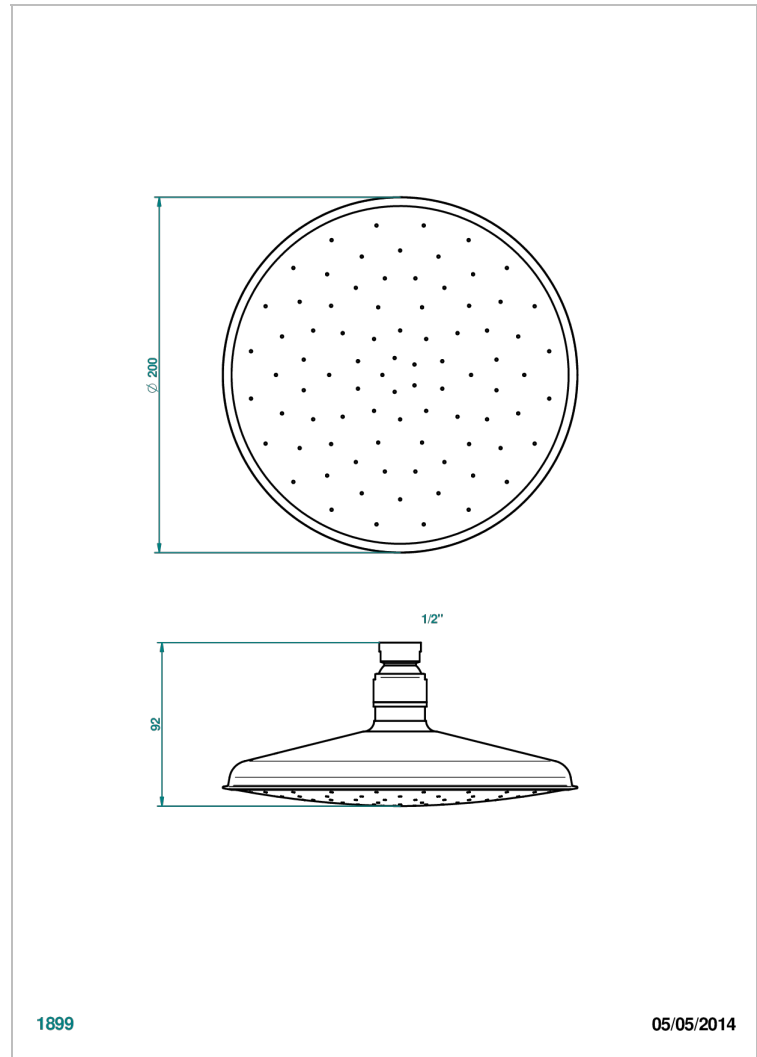


GENERAL ITEMS

G00-286

Shower head \varnothing 200 mm, with ball joint 1/2" (not available in PVD finishes)

THG[®]
PARIS



CHARACTERISTIC

- Showerhead equipped with a flow limiter
- Rain spray
- Mounted on a ball joint
- Installation of a water softener is highly recommended

TECHNICAL SPECS

- Recommandé : 3 bars (max. 5 bars) - Advised : 43,5 psi (max. 72 psi)
- 12 l/min à 3 bars (3.18 gpm at 43.5 psi)

AVAILABLE FINITIONS

Antique nickel - H28
Lacquered light bronze - D01
Matt chrome - C02
Matt gold - F07
Matt nickel (color finish) - C01
Polished chrome (color finish) - A02

Polished gold (color finish) - F01
Polished nickel - B01
Soft gold - F30
Soft matt gold - F31