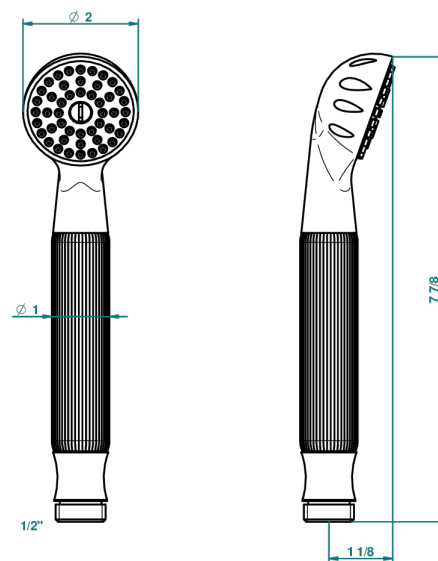


MONTE CARLO, WHITE GOLD PORCELAIN

U8C-66

Stylised handshower 1/2", straight



1833

12/04/2010

CHARACTERISTIC

- ACS : 20ACCLY557

STANDARDS



TECHNICAL SPECS

- Recommandé : 3 bars (max. 5 bars) - Advised : 43,5 psi (max. 72 psi)
- 9,5 l/min à 3 bars (2.5 gpm at 43.5 psi)

AVAILABLE FINITIONS

Antique nickel - H28
Black ceram - D30
Lacquered light bronze - D01
Matt chrome - C02
Matt gold - F07
Matt nickel (color finish) - C01

Polished chrome (color finish) - A02
Polished chrome / Polished gold (color finish) - G02
Polished gold (color finish) - F01
Polished nickel - B01
Soft gold - F30
Soft matt gold - F31

Varnished matt antique red copper (color finish) - H07