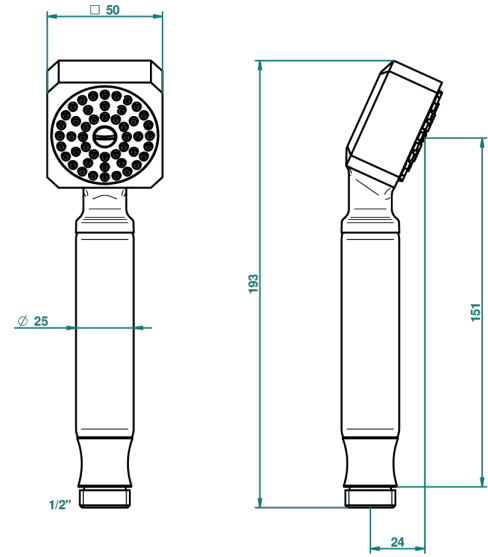
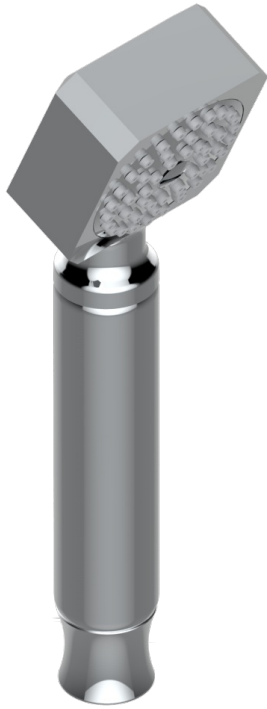


A2B-66

Handbrause 1/2"



18301

07/12/2010

## EIGENSCHAFTEN

- ACS : 20ACCLY557

## TECHNISCHE DATEN

- Recommandé : 3 bars (max. 5 bars) - Advised : 43,5 psi (max. 72 psi)
- 9,5 l/min à 3 bars (2.5 gpm at 43.5 psi)

## ZERTIFIZIERUNGEN



## VERFÜGBARE OBERFLÄCHEN

Altnickel - H28  
 Blassgold - F30  
 Blassgold matt unlackiert - F31  
 Chrom - A02  
 Chrom / gold - G02  
 Chrom matt - C02

Gold - F01  
 Gold matt - F07  
 Mattschwarz keramik - D30  
 Nickel matt - C01  
 Pvd blush - H62  
 Pvd blush matt - H60

Pvd bronze braun - F33  
 Pvd bronze braun matt - F34  
 Pvd gold - H52  
 Pvd gold matt - H53  
 Pvd graphite - H64  
 Pvd graphite matt - H65

Pvd messing - H49  
 Pvd messing matt - H50  
 Pvd nickel - H55  
 Pvd nickel matt - H56  
 Pvd umber - H66  
 Pvd umber matt - H67

Silbernickel - B01