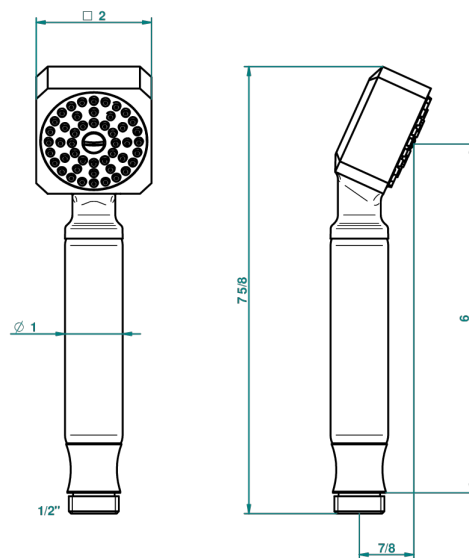
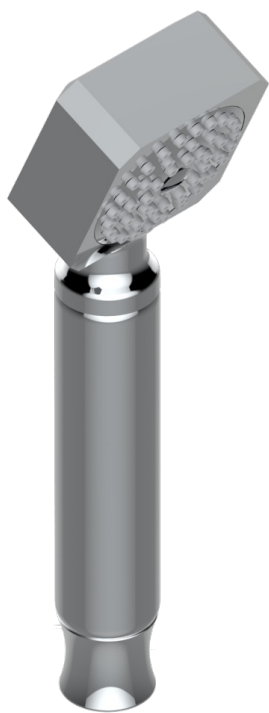


A2A-66

Handbrause 1/2"



18301

07/12/2010

EIGENSCHAFTEN

- ACS : 20ACCLY557

TECHNISCHE DATEN

- Recommandé : 3 bars (max. 5 bars) - Advised : 43,5 psi (max. 72 psi)
- 9,5 l/min à 3 bars (2.5 gpm at 43.5 psi)

ZERTIFIZIERUNGEN



VERFÜGBARE OBERFLÄCHEN

Altnickel - H28
 Blassgold - F30
 Blassgold matt unlackiert - F31
 Chrom - A02
 Chrom / gold - G02
 Chrom matt - C02

Gold - F01
 Gold matt - F07
 Mattschwarz keramik - D30
 Nickel matt - C01
 Pvd blush - H62
 Pvd blush matt - H60

Pvd bronze braun - F33
 Pvd bronze braun matt - F34
 Pvd gold - H52
 Pvd gold matt - H53
 Pvd graphite - H64
 Pvd graphite matt - H65

Pvd messing - H49
 Pvd messing matt - H50
 Pvd nickel - H55
 Pvd nickel matt - H56
 Pvd umber - H66
 Pvd umber matt - H67

Silbernickel - B01