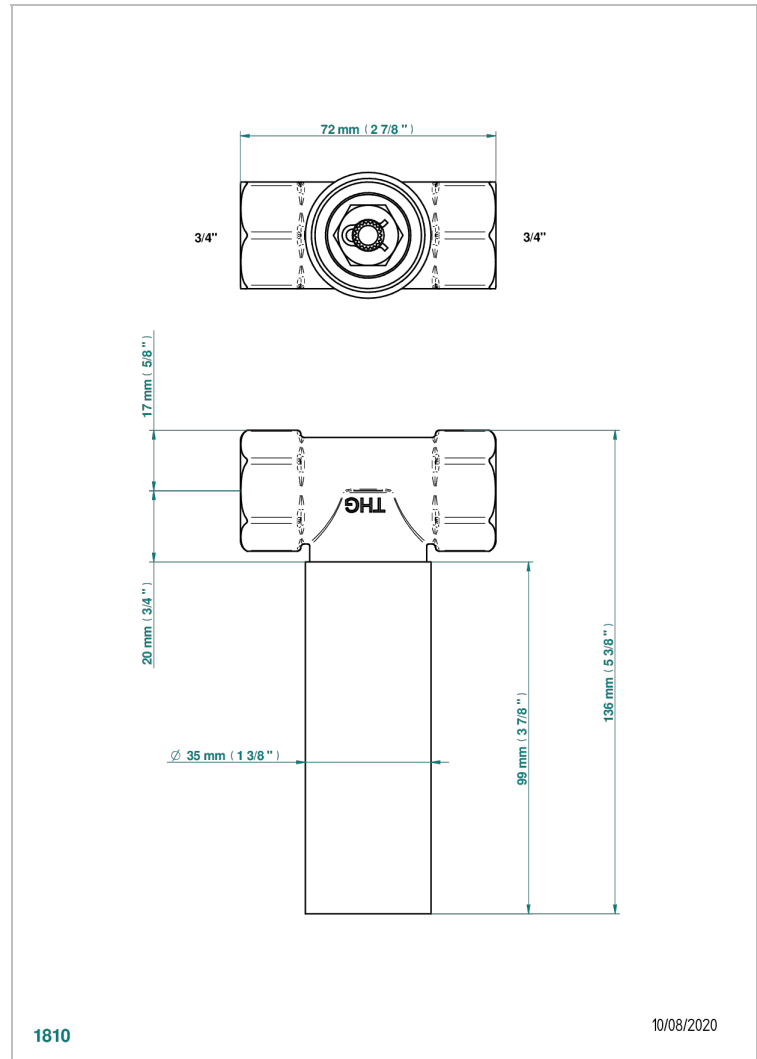


# GENERAL ITEMS

G00-32/CA

Wall mounted 3/4" valve with ceramic head, 1/4 turn left - no trim



## CHARACTERISTIC

- General Items
- Wall mounted 3/4" valve with ceramic head, 1/4 turn left - no trim

## TECHNICAL SPECS

- Recommandé : 3 bars (max. 5 bars) - Advised : 43,5 psi (max. 72 psi)
- 65 l/min à 3 bars (17.2 gpm at 43.5 psi)

## AVAILABLE FINITIONS

\*\*\* - A00