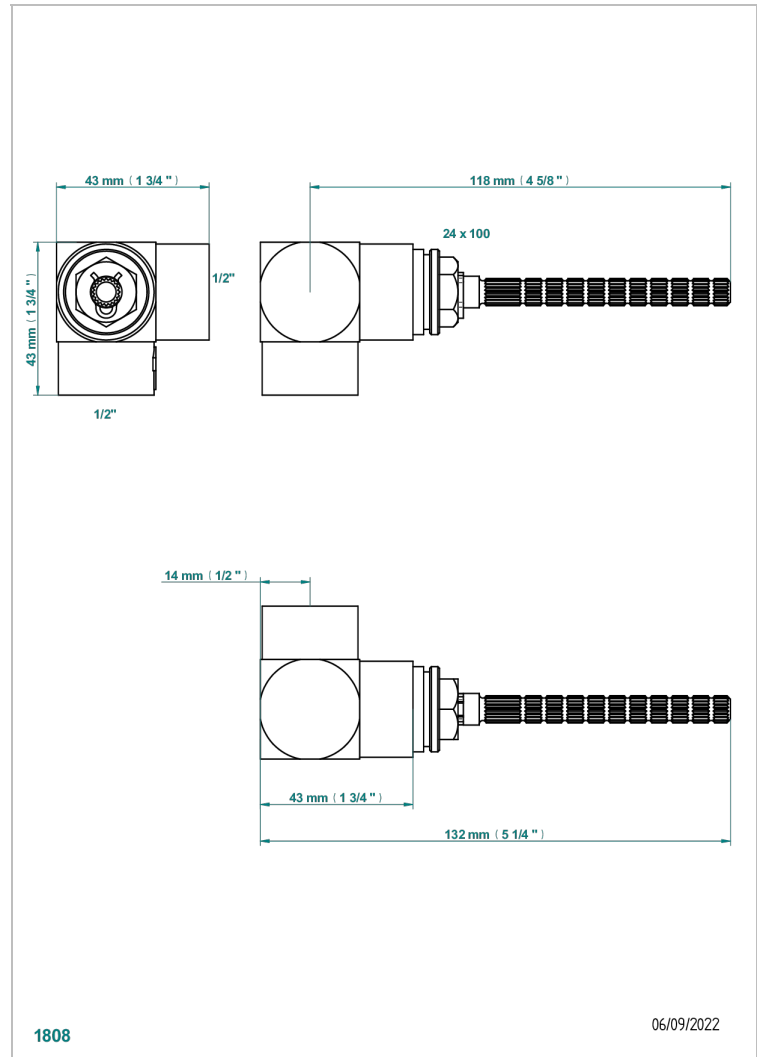
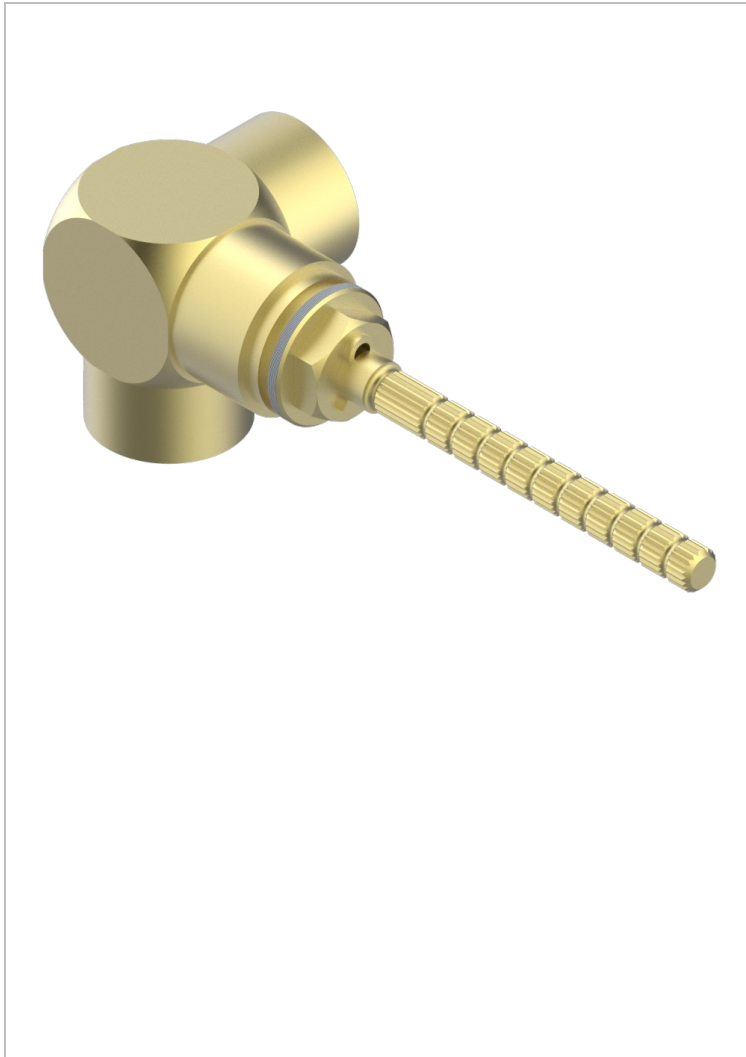


# GENERAL ITEMS

G00-30E/HA

1/2" wall valve for lavatory less trim



1808

06/09/2022

## CHARACTERISTIC

- General Items
- 1/2" wall valve for lavatory less trim

## AVAILABLE FINITIONS

\*\*\* - A00