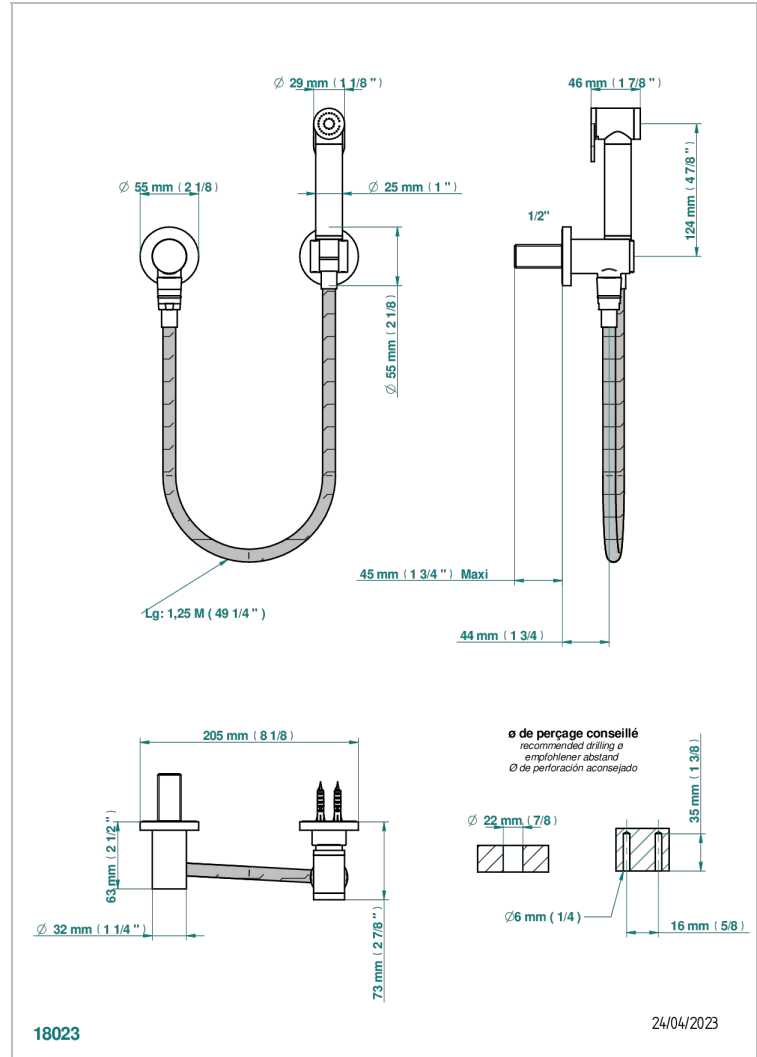


NANO

G5A-5840/7

THG[®]
PARIS

Wc douche set including: trigger spray, reinforced hose(1.25m), hook and elbow



CHARACTERISTIC

- ACS : 19ACCLY406

TECHNICAL SPECS

- Recommandé : 3 bars (max. 5 bars) - Advised : 43,5 psi (max. 72 psi)
- 9,5 l/min à 3 bars (2.5 gpm at 43.5 psi)

STANDARDS



AVAILABLE FINITIONS

- Matt nickel (color finish) - C01
- Polished chrome (color finish) - A02
- Polished chrome / Polished gold (color finish) - G02
- Polished gold (color finish) - F01
- Polished nickel - B01