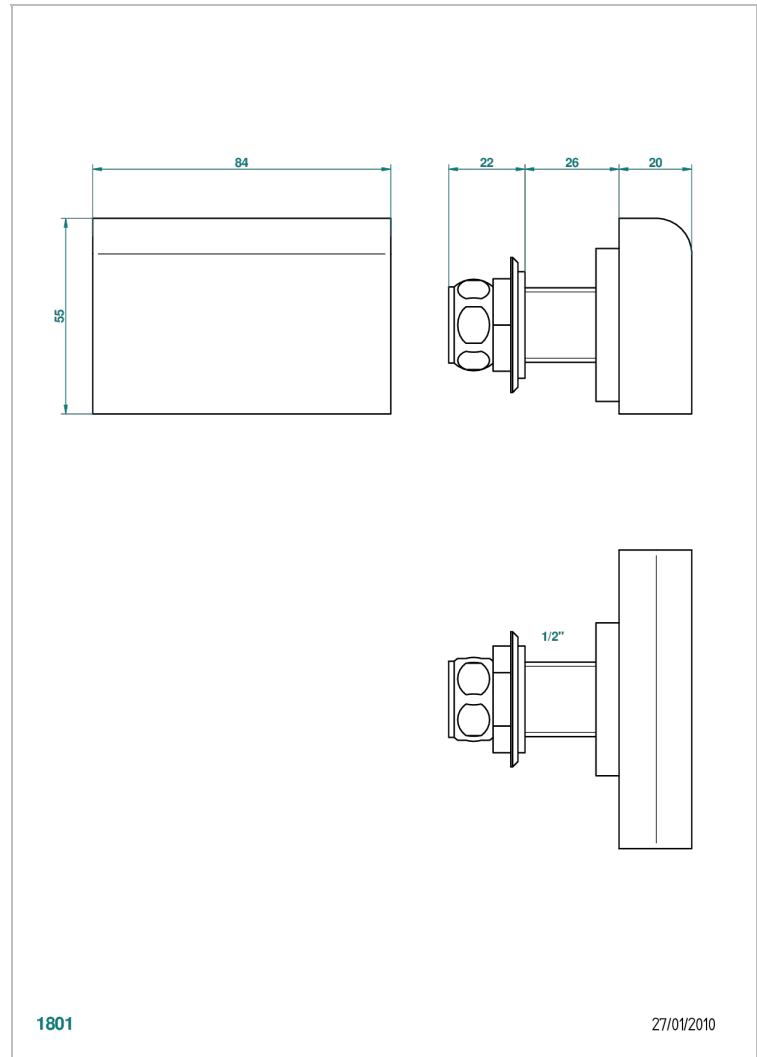
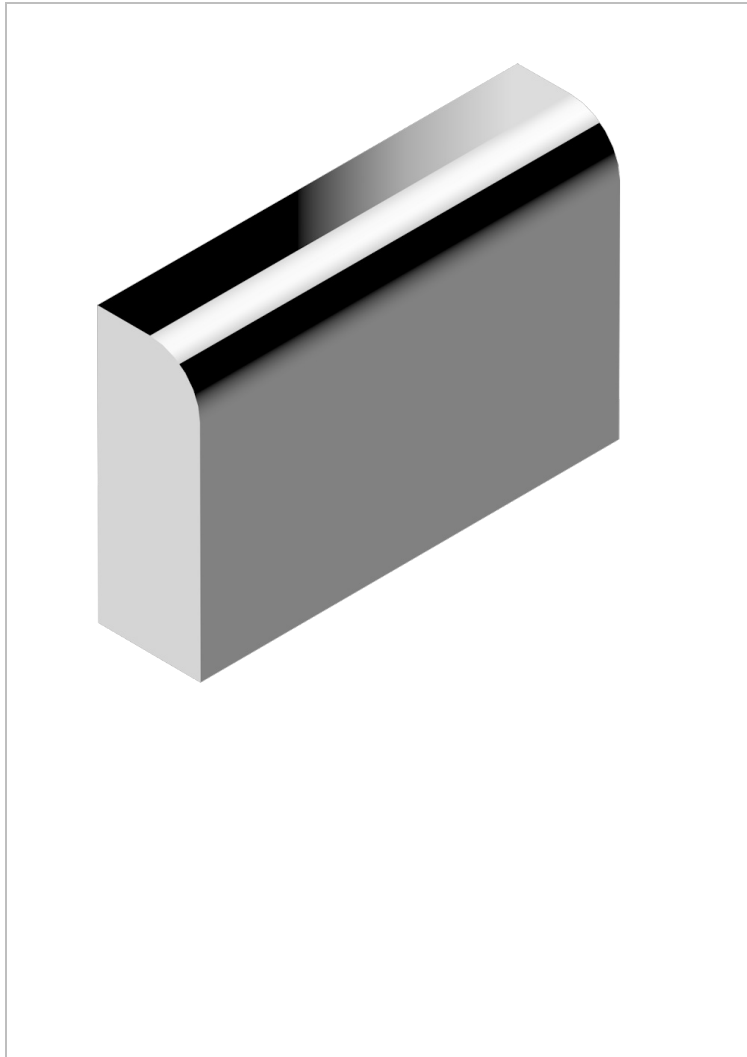


STANDARDARTIKEL

G00-24PM

Innenliegender Wannenauslauf 84 mm

THG[®]
PARIS



1801

27/01/2010

EIGENSCHAFTEN

- Standardartikel
- Innenliegender Wannenauslauf 84 mm

TECHNISCHE DATEN

- Recommandé : 3 bars (max. 5 bars) - Advised : 43,5 psi (max. 72 psi)
 - écoulement libre - débit selon l'alimentation en amont
- Free flow - flow according to the upstream supply

VERFÜGBARE OBERFLÄCHEN

Chrom - A02
Gold - F01
Pvd blush - H62
Pvd blush matt - H60
Pvd bronze braun - F33
Pvd bronze braun matt - F34

Pvd graphite - H64
Pvd graphite matt - H65
Pvd messing - H49
Pvd messing matt - H50
Pvd nickel - H55
Pvd nickel matt - H56

Pvd umber - H66
Pvd umber matt - H67