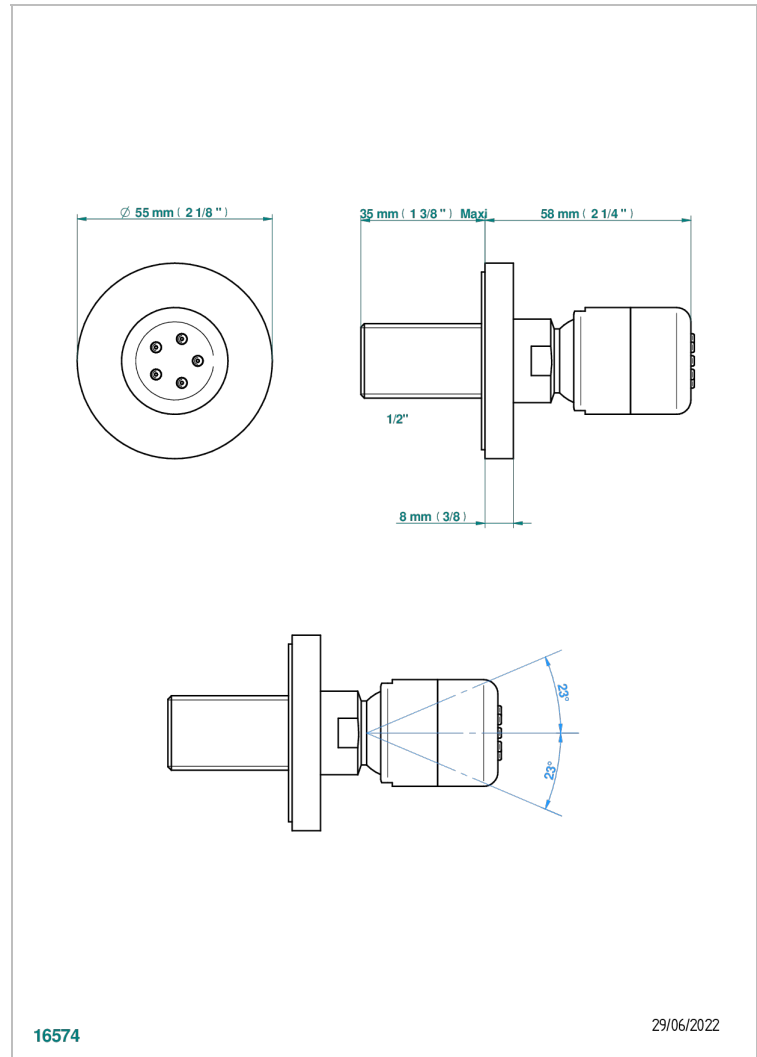


NANO WITH LEVER

G5B-290/B

Wall mounted body jet 1/2" with Easyclean system



CHARACTERISTIC

- Nano with lever
- Wall mounted body jet 1/2" with Easyclean system

TECHNICAL SPECS

- Recommandé : 3 bars (max. 5 bars) - Advised : 43,5 psi (max. 72 psi)
- 4 l/min à 3 bars (1.1 gpm at 43.5 psi)

AVAILABLE FINITIONS

Antique nickel - H28
Black ceram - D30
Matt chrome - C02
Matt gold - F07
Matt nickel (color finish) - C01
Polished chrome (color finish) - A02

Polished chrome / Polished gold (color finish) - G02
Polished gold (color finish) - F01
Polished nickel - B01
Soft gold - F30
Soft matt gold - F31