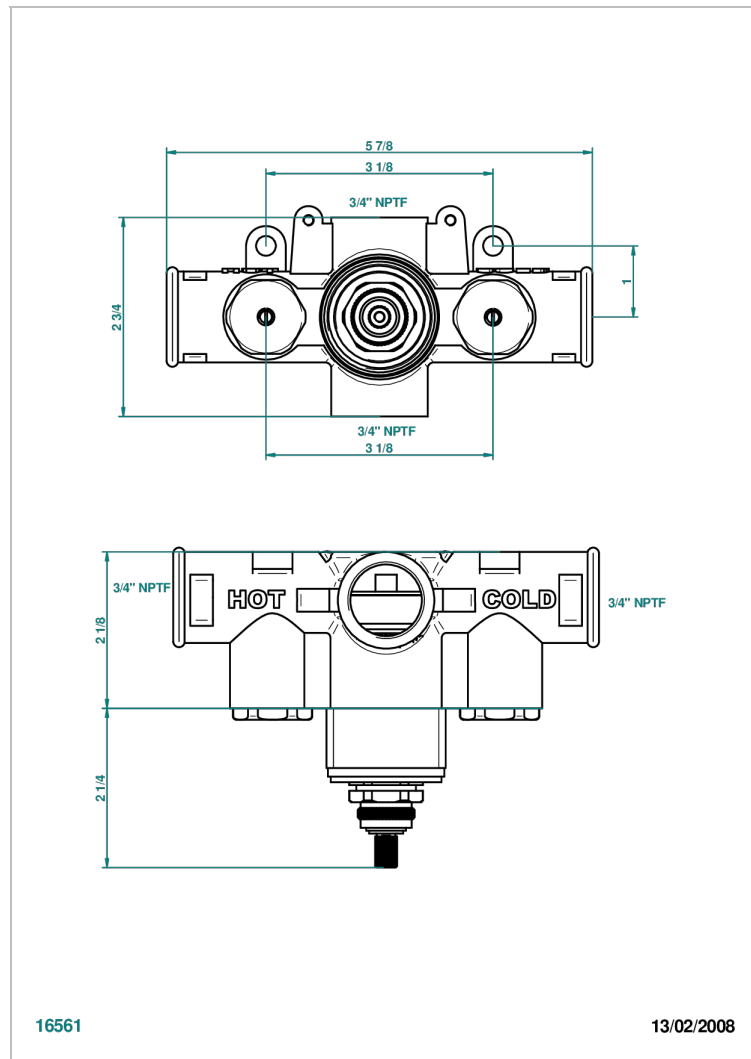
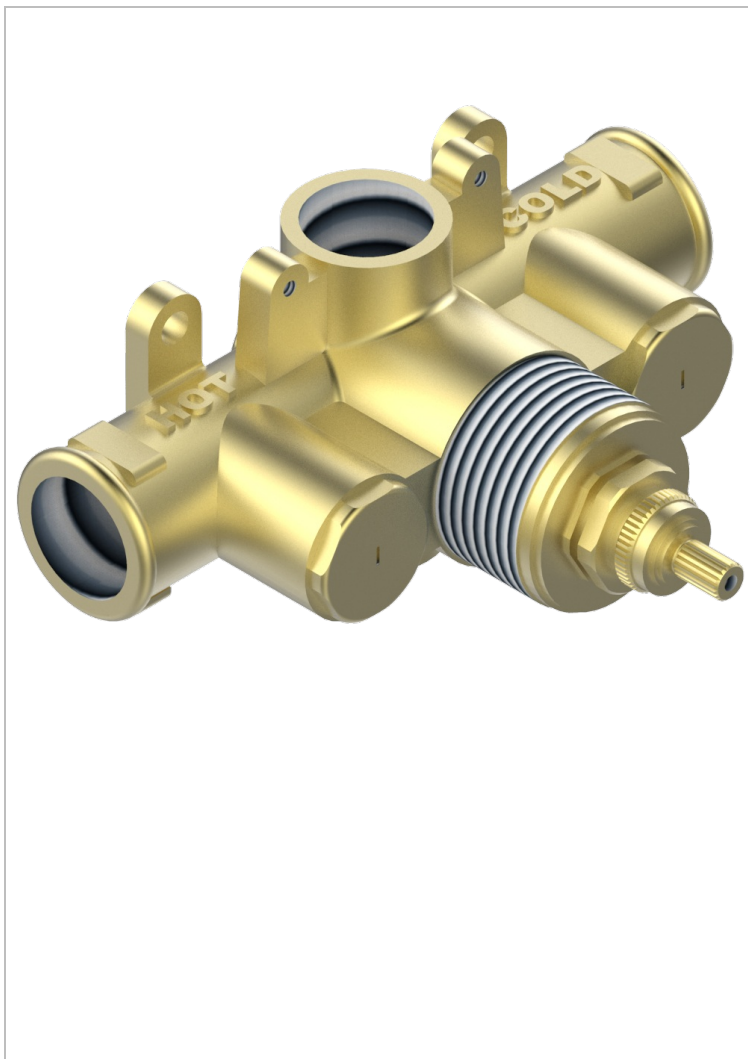


GENERAL PRODUCTS

G00-5200A/US

3/4" THG THERMOSTATIC VALVE 15 gpm WAX CARTRIDGE NO TRIM

THG
PARIS



CHARACTERISTIC

- General Products
- 3/4" THG THERMOSTATIC VALVE 15 gpm WAX CARTRIDGE NO TRIM

TECHNICAL SPECS

- Recommandé : 3 bars (max. 5 bars) - Advised : 43,5 psi (max. 72 psi)
- 60 l/min à 3 bars (15.9 gpm at 43.5 psi)

AVAILABLE FINITIONS

*** - A00