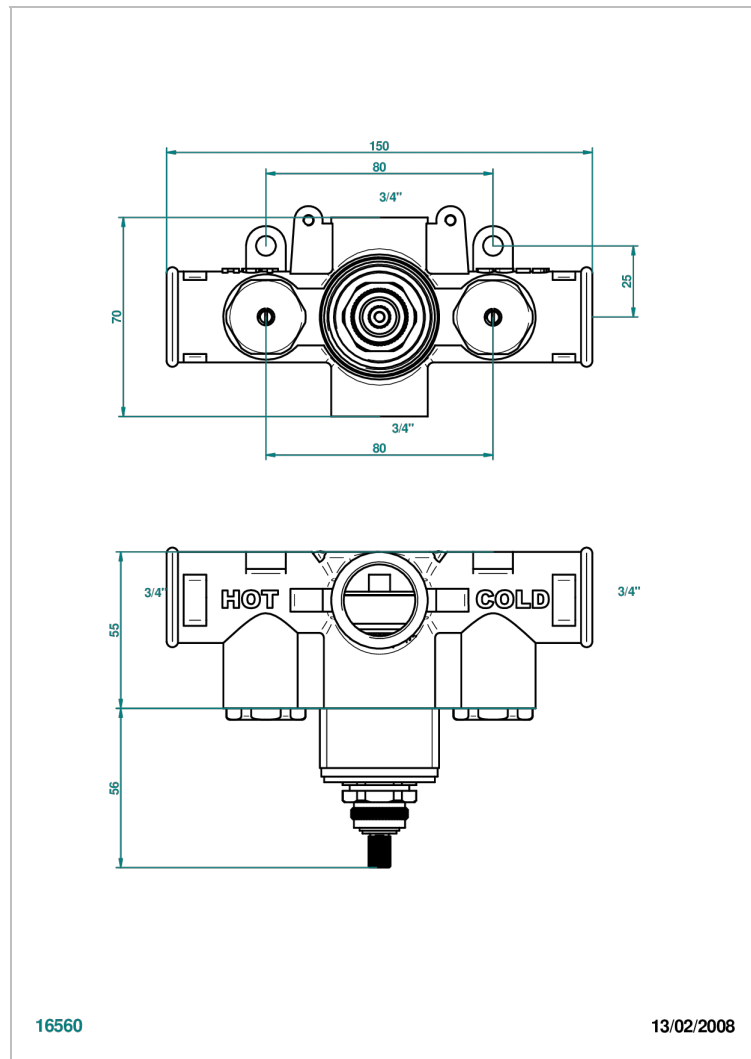
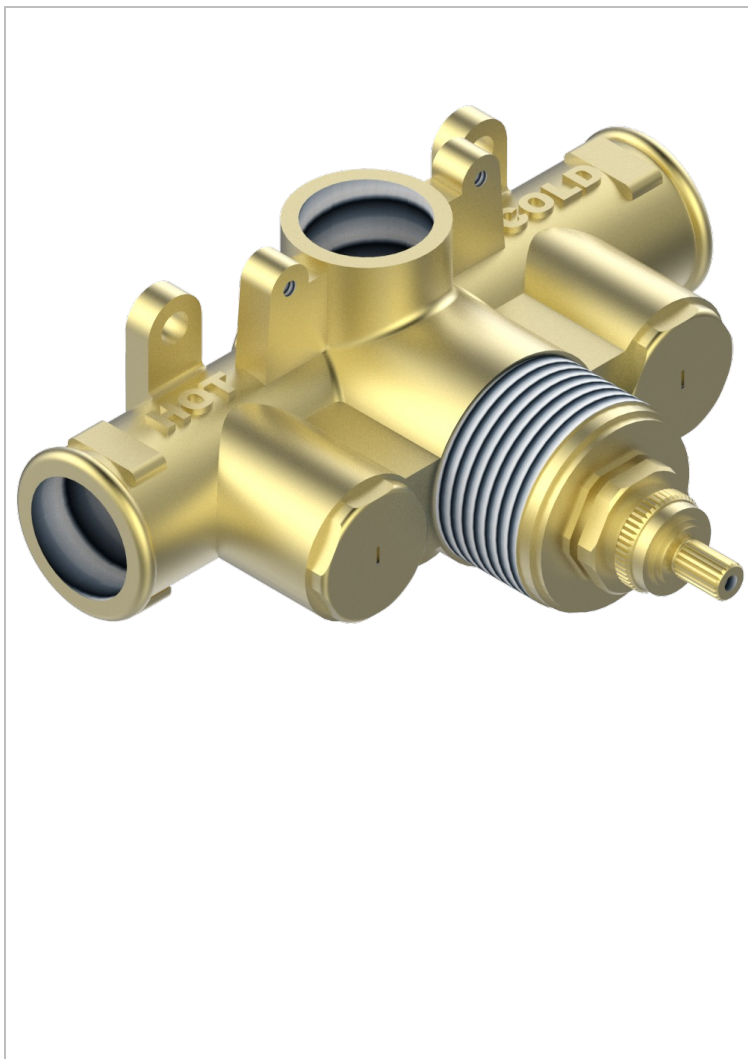


GENERAL ITEMS

G00-5200A

3/4" THG thermostat, 60 L/mn with wax cartridge without trim

THG[®]
PARIS



CHARACTERISTIC

- NF : NF EN 1111 - IIC - Brut

STANDARDS



RELATED SKU'S

- Ref. G00-5100C Wall connector for THG thermostatic valves , for wall built-in depth between 80 and 125 mm
- Ref. G00-5100G Reinforced stop ring for THG thermostatic with fixing set

AVAILABLE FINITIONS

*** - A00

TECHNICAL SPECS

- Recommandé : 3 bars (max. 5 bars) - Advised : 43,5 psi (max. 72 psi)
- 60 l/min à 3 bars (15.9 gpm at 43.5 psi)