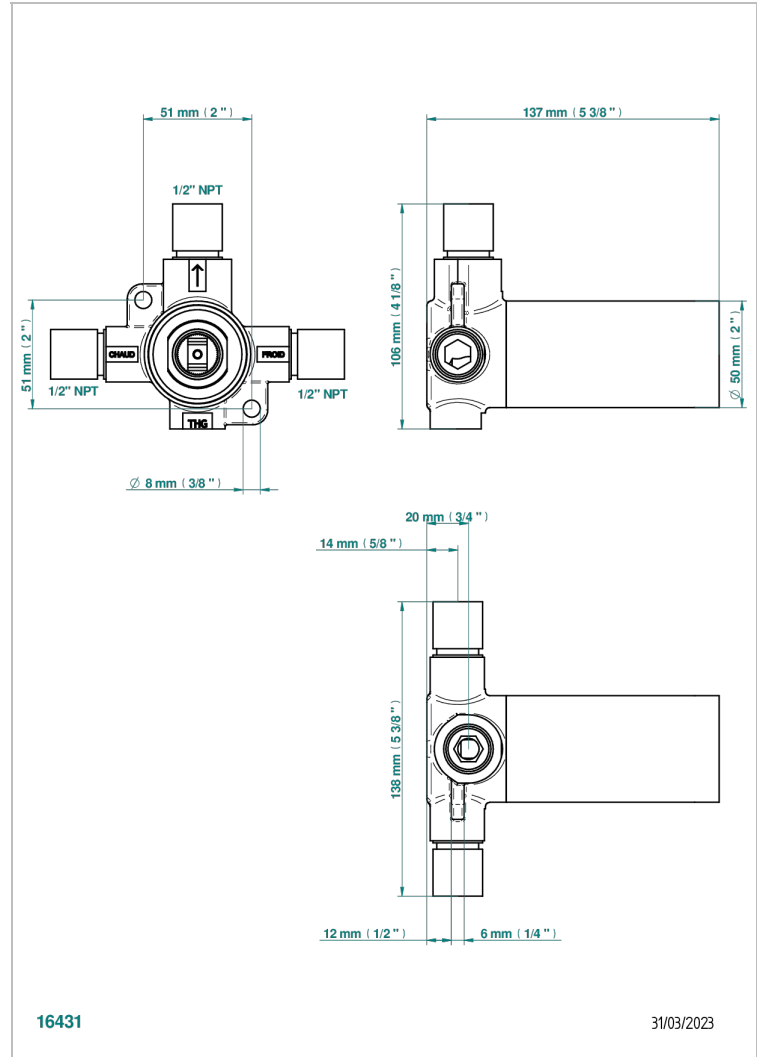
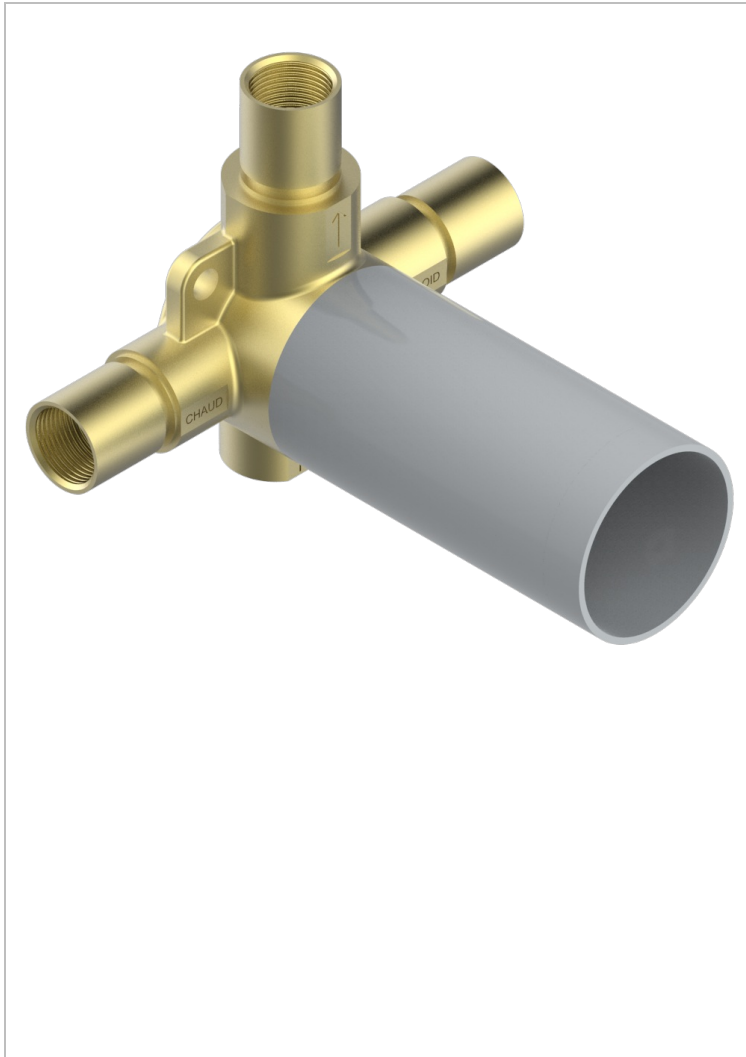


GENERAL PRODUCTS

G00-6540A/US

Built-in part for wall mounted flush fit shower mixer 2 inlets 1/2" -1 outlet 1/2" -US model



CHARACTERISTIC

- General Products
- Built-in part for wall mounted flush fit shower mixer 2 inlets 1/2" -1 outlet 1/2" -US model

AVAILABLE FINITIONS

*** - A00