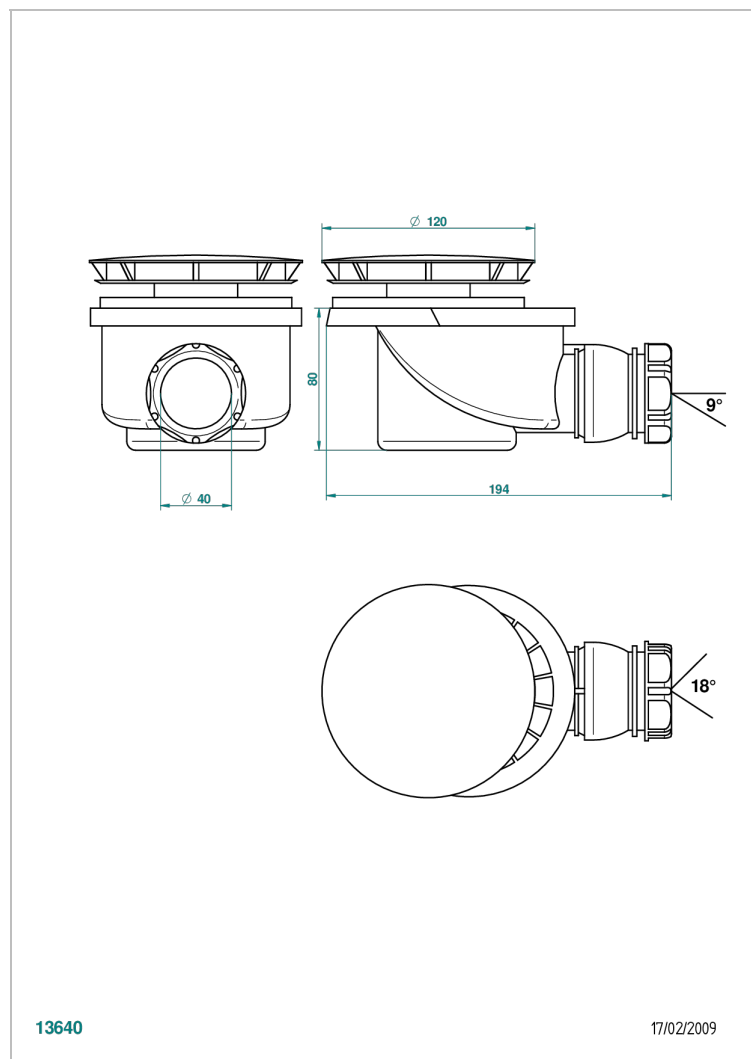


# GENERAL ITEMS

G00-2331

Shower drain,  $\varnothing$  90 mm, horizontal and movable outlet (available in A02, B01, F01, F30 ; for other colour finishes, please contact us)



## CHARACTERISTIC

- General Items
- Shower drain,  $\varnothing$  90 mm, horizontal and movable outlet (available in A02, B01, F01, F30 ; for other colour finishes, please contact us)

## AVAILABLE FINITIONS

- Polished chrome (color finish) - A02
- Polished gold (color finish) - F01
- Polished nickel - B01
- Soft gold - F30