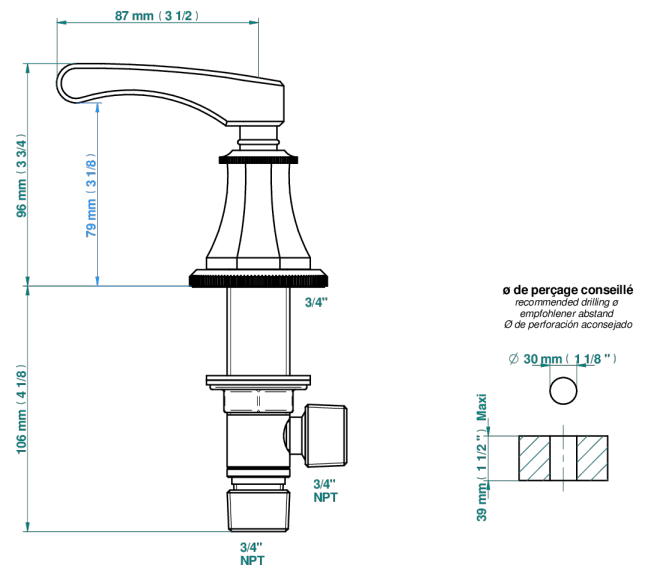


# ART DECO, HEBEL

A55-36/H

Einbauventil zur Standmontage 3/4", warm

THG<sup>®</sup>  
PARIS



13335

10/11/2022

## EIGENSCHAFTEN

- Art Déco, Hebel
- Einbauventil zur Standmontage 3/4", warm

## VERFÜGBARE OBERFLÄCHEN

Altnickel - H28  
Blassgold - F30  
Blassgold matt unlackiert - F31  
Bronze hell - D01  
Chrom - A02  
Chrom / gold - G02

Chrom matt - C02  
Gold - F01  
Gold matt - F07  
Kupfer altrot matt lackiert - H07  
Mattschwarz keramik - D30  
Natural smoked Brass - A13

Nickel matt - C01  
Pvd blush - H62  
Pvd blush matt - H60  
Pvd bronze braun - F33  
Pvd bronze braun matt - F34  
Pvd gold - H52

Pvd gold matt - H53  
Pvd graphite - H64  
Pvd graphite matt - H65  
Pvd messing - H49  
Pvd messing matt - H50  
Pvd nickel - H55

Pvd nickel matt - H56  
Pvd umber - H66  
Pvd umber matt - H67  
Silbernichel - B01