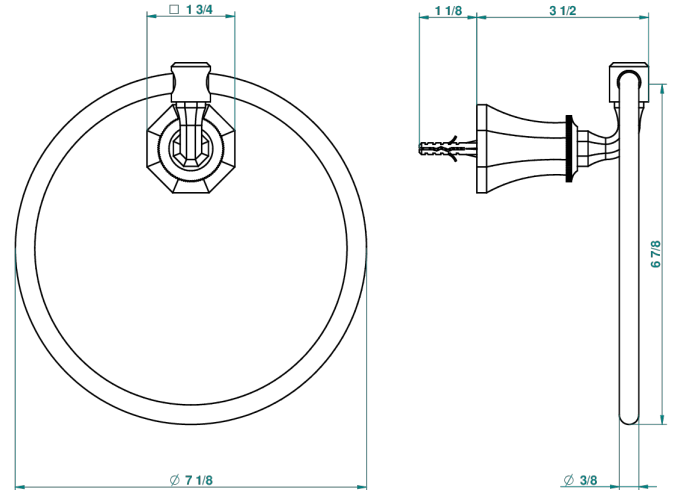


A59-504N

Handtuchring



recommended drilling  $\varnothing$   
*o de perçage conseillé*  
*empfohlener abstand*  
*Ø de perforación aconsejado*



13129

21/09/2010

## EIGENSCHAFTEN

- Tradition, Kristall
- Handtuchring

## VERFÜGBARE OBERFLÄCHEN

Altnickel - H28  
 Blassgold - F30  
 Blassgold matt unlackiert - F31  
 Bronze hell - D01  
 Chrom - A02  
 Chrom / gold - G02

Chrom matt - C02  
 Gold - F01  
 Gold matt - F07  
 Kupfer altrot matt lackiert - H07  
 Mattschwarz keramik - D30  
 Natural smoked Brass - A13

Nickel matt - C01  
 Pvd blush - H62  
 Pvd blush matt - H60  
 Pvd bronze braun - F33  
 Pvd bronze braun matt - F34  
 Pvd gold - H52

Pvd gold matt - H53  
 Pvd graphite - H64  
 Pvd graphite matt - H65  
 Pvd messing - H49  
 Pvd messing matt - H50  
 Pvd nickel - H55

Pvd nickel matt - H56  
 Pvd umber - H66  
 Pvd umber matt - H67  
 Silbernichel - B01