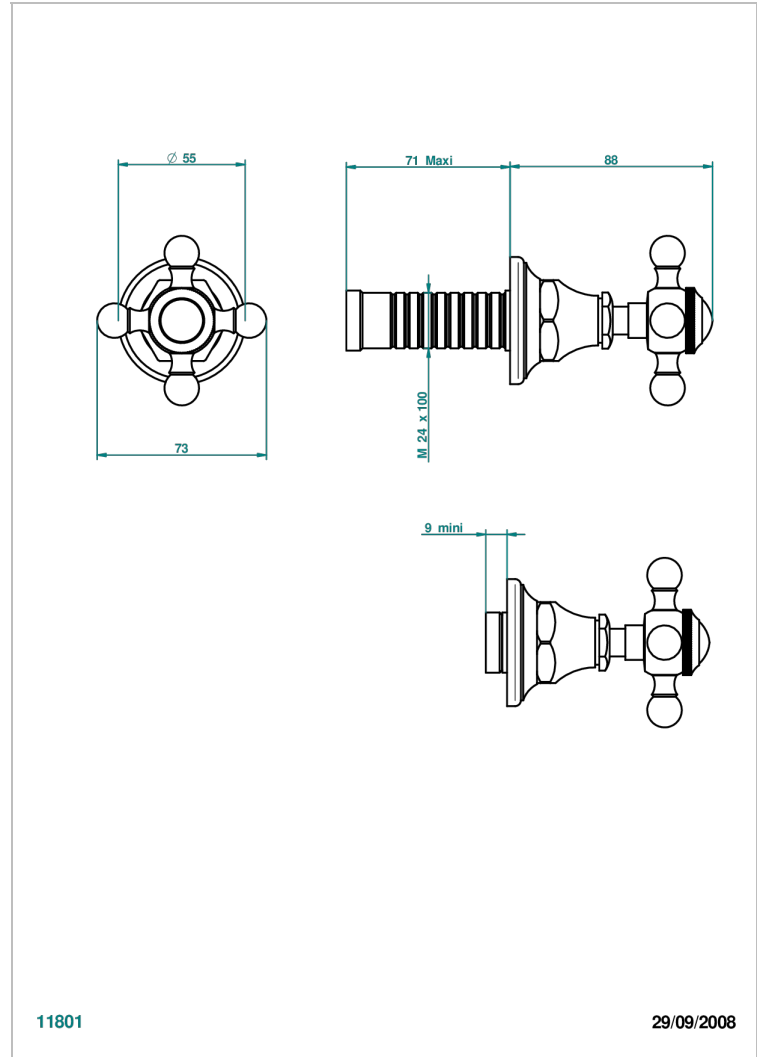
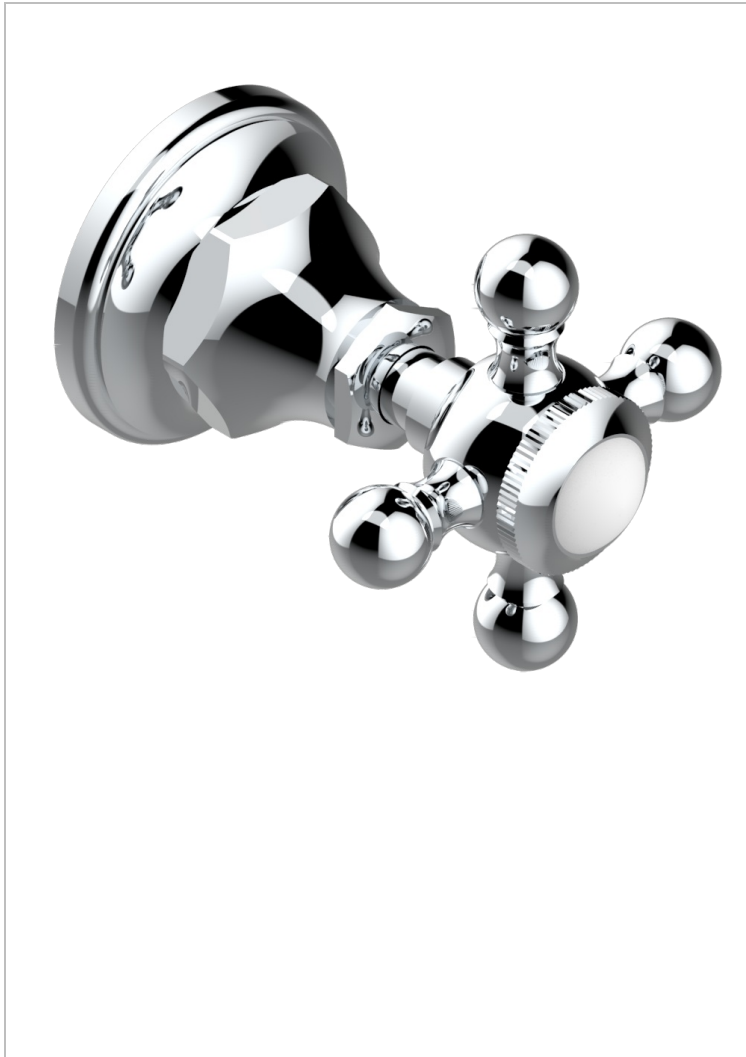


1900

G25-30B/N

wall valve trim only for valve item code 30 and 32 or diverter 50/4/VM. No writing



CHARACTERISTIC

- 1900
- wall valve trim only for valve item code 30 and 32 or diverter 50/4/VM. No writing

RELATED SKU'S

- Ref. G00-30/CA/W Wall mounted 1/2" valve body with ceramic head 1/4 turn left - WRAS approved
- Ref. G00-32/CA/W Wall mounted 3/4" valve body with ceramic head, 1/4 turn left - WRAS approved

AVAILABLE FINITIONS

Antique nickel - H28
Black ceram - D30
Blush PVD - H62
Brass color PVD - H49
Brown bronze color PVD - F33
Gold color PVD - H52

Graphite PVD - H64
Lacquered light bronze - D01
Matt Umber PVD - H67
Matt blush PVD - H60
Matt brass color PVD - H50
Matt brown bronze color PVD - F34

Matt chrome - C02
Matt gold - F07
Matt gold color PVD - H53
Matt graphite PVD - H65
Matt nickel (color finish) - C01
Matt nickel color PVD - H56

Natural smoked Brass - A13
Nickel color PVD - H55
Polished chrome (color finish) - A02
Polished chrome / Polished gold (color finish) - G02
Polished gold (color finish) - F01
Polished nickel - B01

Soft gold - F30
Soft matt gold - F31
Umber PVD - H66
Varnished matt antique red copper (color finish) - H07